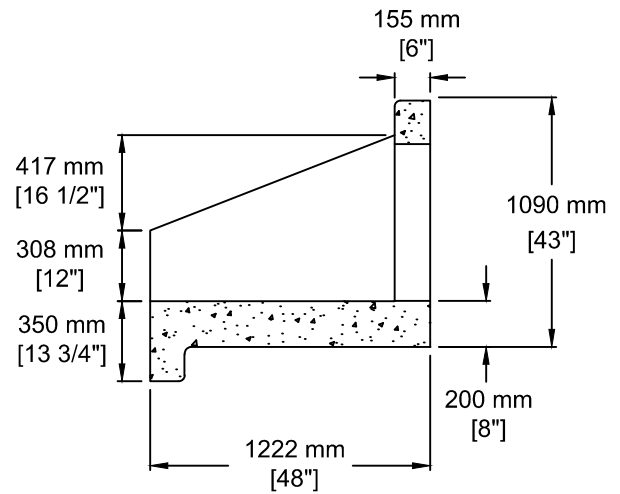
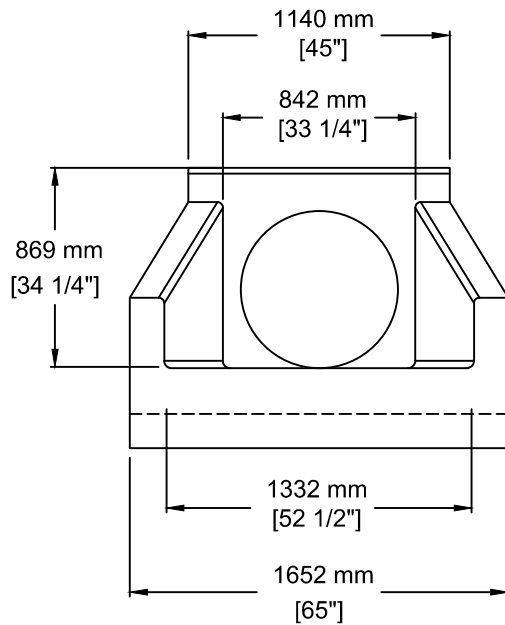


2.5T Dogbone Style Lifting Anchor

**DESIGN INFORMATION**  
 HEADWALL CAN BE MADE TO ACCEPT PIPE DIAMETER UP TO 600 MM. CAN ACCOMMODATE A FLAT GRATE OR A HINGED GRATE.

**INSTALLATION INFORMATION**  
 2.5T DOGBONE STYLE LIFTING ANCHORS  
 WEIGHT: 2800 LBS / 1270 KG



TEL: 250-495-7556  
 socp@socp.ca  
 www.socp.ca

Box 419, 11602 - 115 st Osoyoos, BC V0H 1V0

FAX: 250-495-3556

**Headwall Structure**  
**Complete with Front Extension**

**Product #**  
**0532-FX**