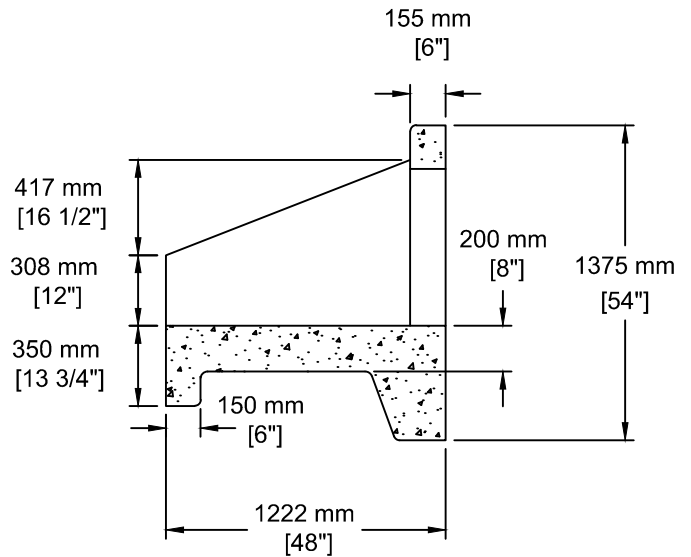
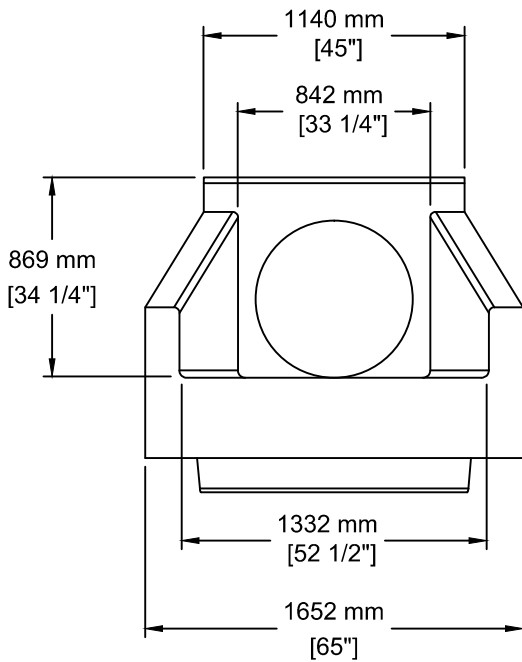


INSTALLATION INFORMATION
2.5T DOGBONE STYLE LIFTING ANCHORS
WEIGHT: 2800 LBS / 1270 KG

DESIGN INFORMATION
HEADWALL CAN BE MADE TO ACCEPT
PIPE DIAMETER UP TO 600 MM. CAN
ACCOMMODATE A FLAT GRATE OR A
HINGED GRATE.



TEL: 250-495-7556
 socp@socp.ca
 www.socp.ca

Box 419, 11602 - 115 st Osoyoos, BC V0H 1V0

FAX: 250-495-3556

Headwall Structure Complete
with Front and Rear Extensions

Product #
0532-FRX