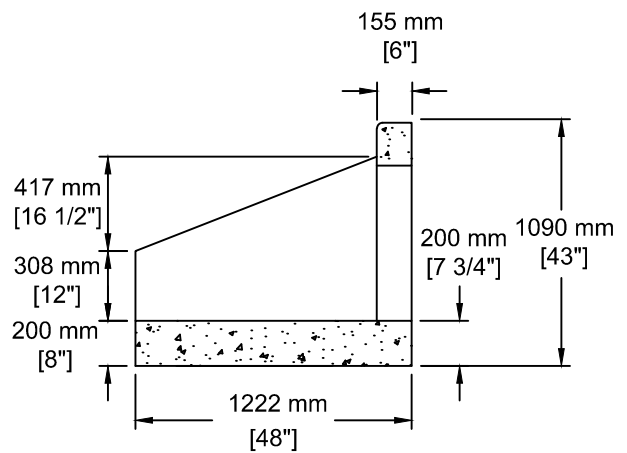
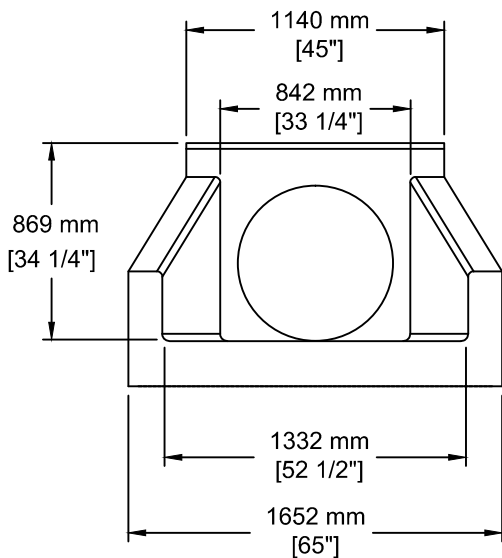


**INSTALLATION INFORMATION**  
**2.5T DOGBONE STYLE LIFTING ANCHORS**  
**WEIGHT: 2800 LBS / 1270 KG**

**DESIGN INFORMATION**  
**HEADWALL CAN BE MADE TO ACCEPT PIPE**  
**DIAMETER UP TO 600 MM. CAN ACCOMMODATE**  
**A FLAT GRATE OR A HINGED GRATE.**



TEL: 250-495-7556  
 socp@socp.ca  
 www.socp.ca

Box 419, 11602 - 115 st. Osoyoos, BC V0H 1V0

FAX: 250-495-3556

**Headwall Structure**

**Product #**

**0532**