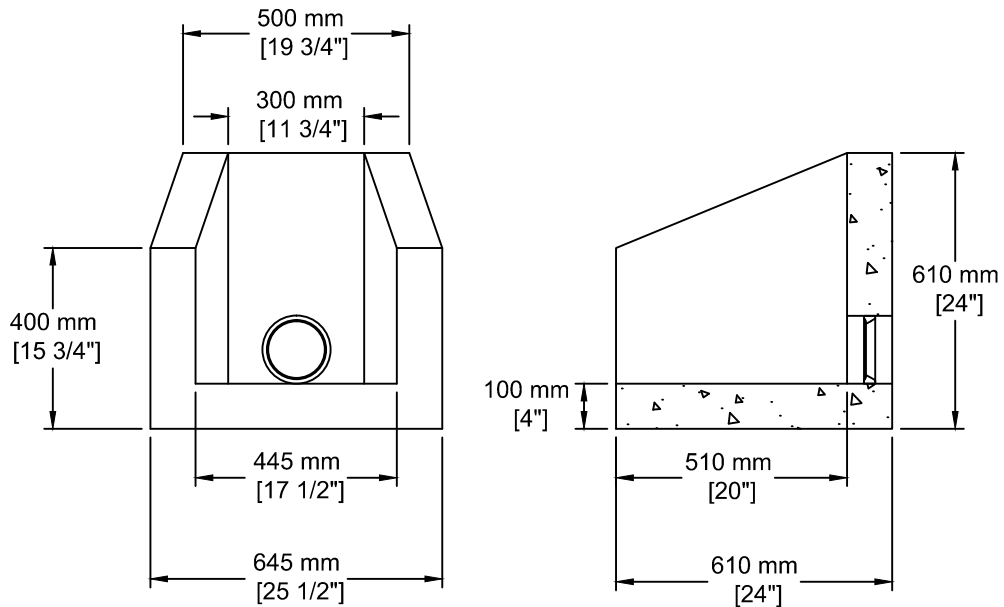


5T Dogbone Style
Lifting Anchor

INSTALLATION INFORMATION
5T DOGBONE STYLE LIFTING ANCHORS
WEIGHT: 584 LBS / 265 KG

DESIGN INFORMATION
HEADWALL CAN BE MADE TO ACCEPT PIPE
DIAMETER UP TO 300 MM. CAN
ACCOMMODATE A FLAT GRATE.



TEL: 250-495-7556
 socp@socp.ca
 www.socp.ca

Mini Headwall

Product #

0530