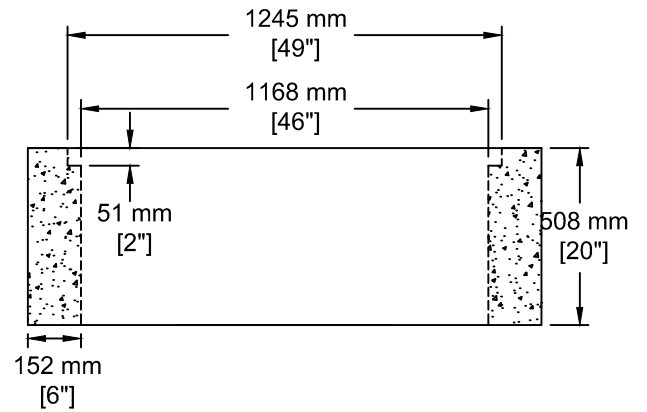
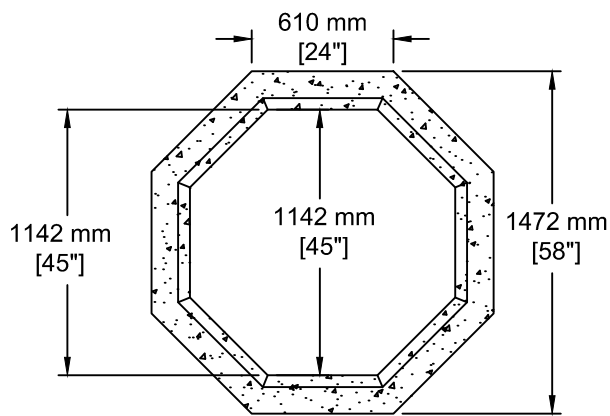


INSTALLATION INFORMATION

WEIGHT: 1743 LBS / 791 KG



TEL: 250-495-7556
 socp@socp.ca
 www.socp.ca

Octagon Tree Well Planter
 Exposed

Product #
 1894-E