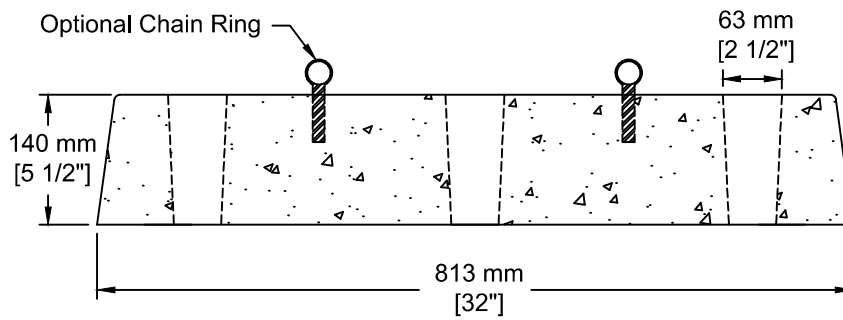


**INSTALLATION INFORMATION**  
 /C 2 - THREADED INSERT TO ACCOMMODATE  
 OPTIONAL CHAIN RING  
 WEIGHT: 343 LBS / 156 KG



TEL: 250-495-7556  
 socp@socp.ca  
 www.socp.ca

**3 Slot Bike Stand  
 Exposed Aggregate**

**Product #  
 1881-E**