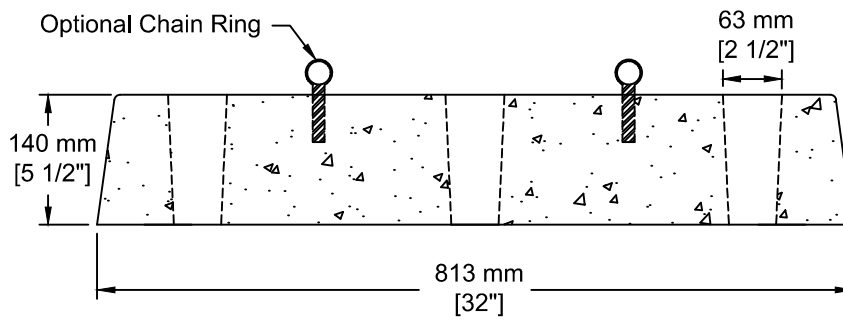


INSTALLATION INFORMATION
 /C 2 - THREADED INSERT TO ACCOMMODATE
 OPTIONAL CHAIN RING
 WEIGHT: 343 LBS / 156 KG



TEL: 250-495-7556
 socp@socp.ca
 www.socp.ca

3 Slot Bike Stand

Product #

1881