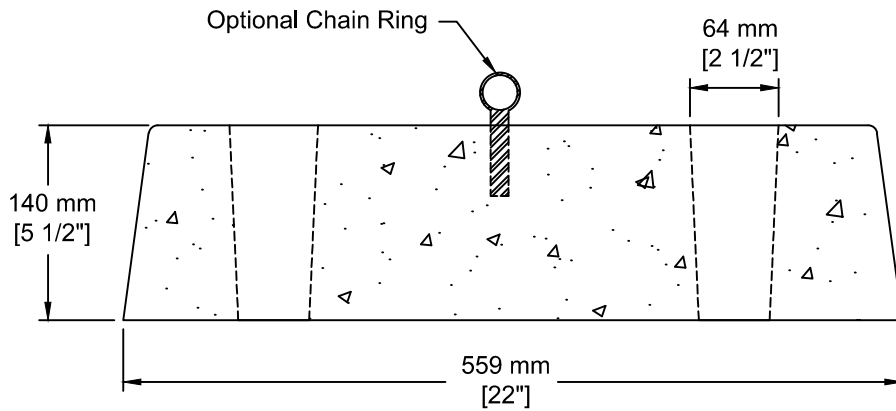


INSTALLATION INFORMATION

/C 1 - THREADED INSERT TO ACCOMMODATE
 OPTIONAL CHAIN RING
 WEIGHT: 250 LBS / 113 KG



TEL: 250-495-7556
 socp@socp.ca
 www.socp.ca

Box 419, 11602 - 115 st Osoyoos, BC V0H 1V0

FAX: 250-495-3556

2 Slot Bike Stand

Product #

1880