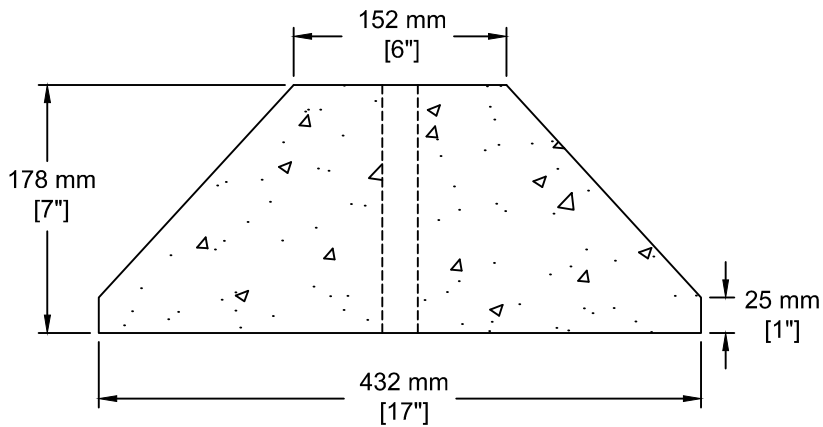


INSTALLATION INFORMATION  
 WEIGHT: 80 LBS / 36 KG



TEL: 250-495-7556  
 socp@socp.ca  
 www.socp.ca

Box 419, 11602 - 115 st Osoyoos, BC V0H 1V0

FAX: 250-495-3556

Pyramid Block  
 /c 25 mm [1"] hole

Product #

1860