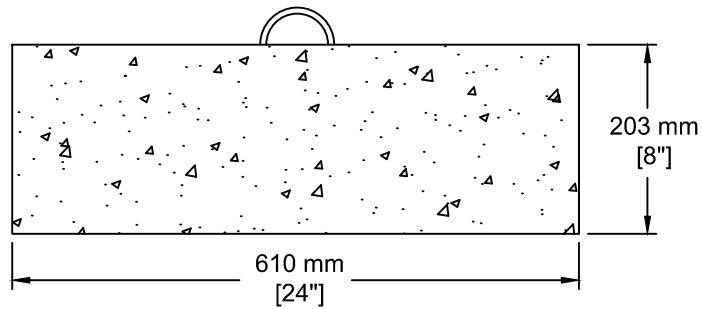


INSTALLATION INFORMATION
WEIGHT: 451 LBS / 204 KG



TEL: 250-495-7556
socp@socp.ca
www.socp.ca

Box 419, 11602 - 115 st Osoyoos, BC V0H 1V0

FAX: 250-495-3556

Trailer Anchor Block

Product #

1853