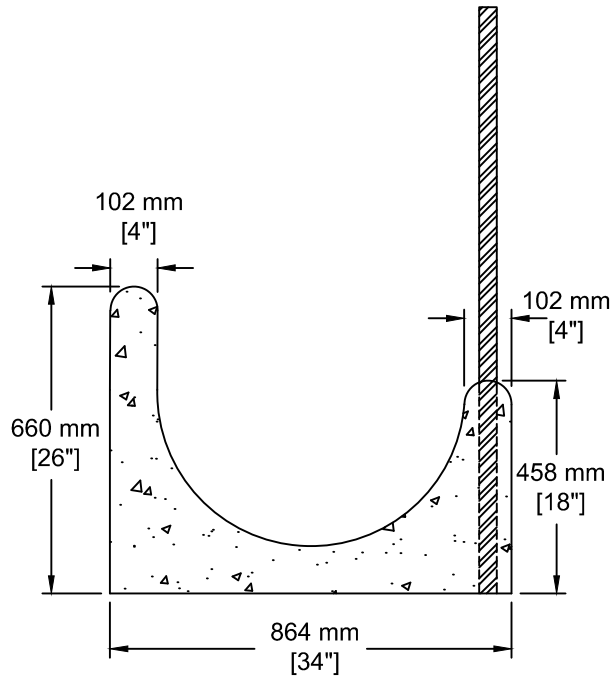


INSTALLATION INFORMATION  
 WEIGHT: 2987 LBS / 1454 KG



TEL: 250-495-7556  
 socp@socp.ca  
 www.socp.ca

Box 419, 11602 - 115 st Osoyoos, BC V0H 1V0

FAX: 250-495-3556

J Bunk Cattle Feeder  
 /c 1.5" Steel Pipe

Product #

1821