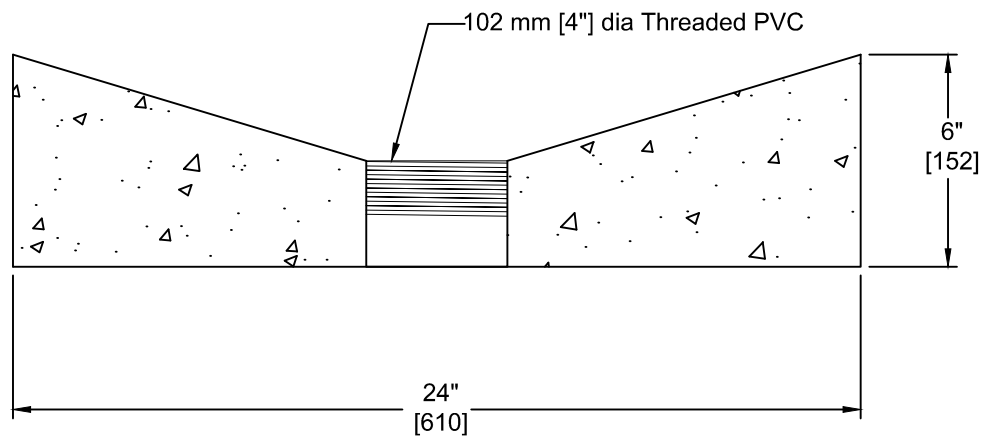


INSTALLATION INFORMATION
 WEIGHT: 233 LBS 107 KG



SOCPC
 SOUTH OKANAGAN
 CONCRETE PRODUCTS LTD
 Box 419, 11602 - 115 st Osoyoos, BC V0H 1V0
 TEL: 250-495-7556
 socp@socp.ca
 www.socp.ca
 FAX: 250-495-3556

**610 mm (24")
 RV Sewer Inlet Pad**

**Product #
 1810**