

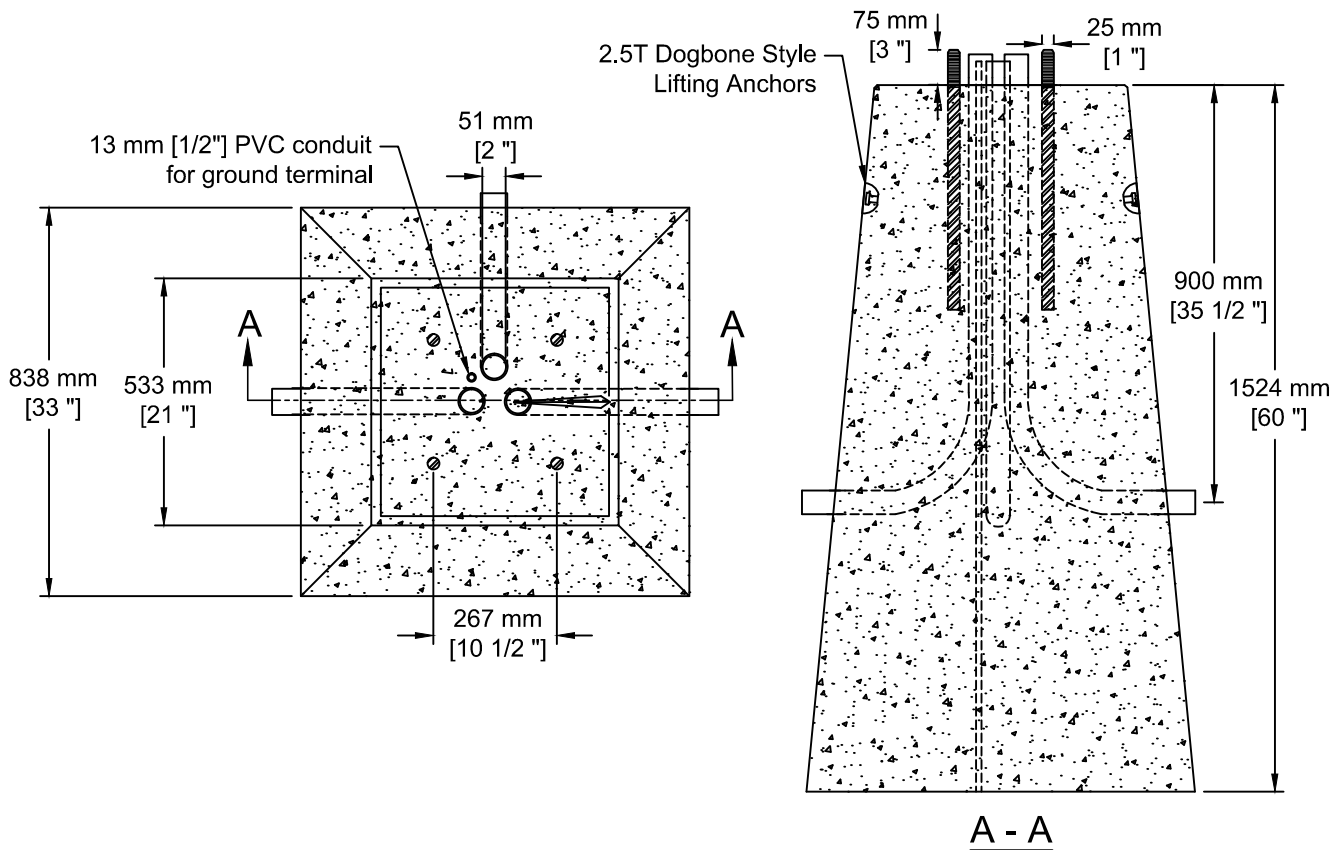
INSTALLATION INFORMATION

2 - 2.5T DOGBONE STYLE LIFTING ANCHORS

TOWN OF OSOYOOS DWG - SL-4

10 1/2" BOLT PATTERN

WEIGHT: 3473 LBS / 1575 KG



TEL: 250-495-7556

socp@socp.ca

www.socp.ca

**SL-4 Osoyoos
Concrete Street Light Base**

Product #

1253-SL4