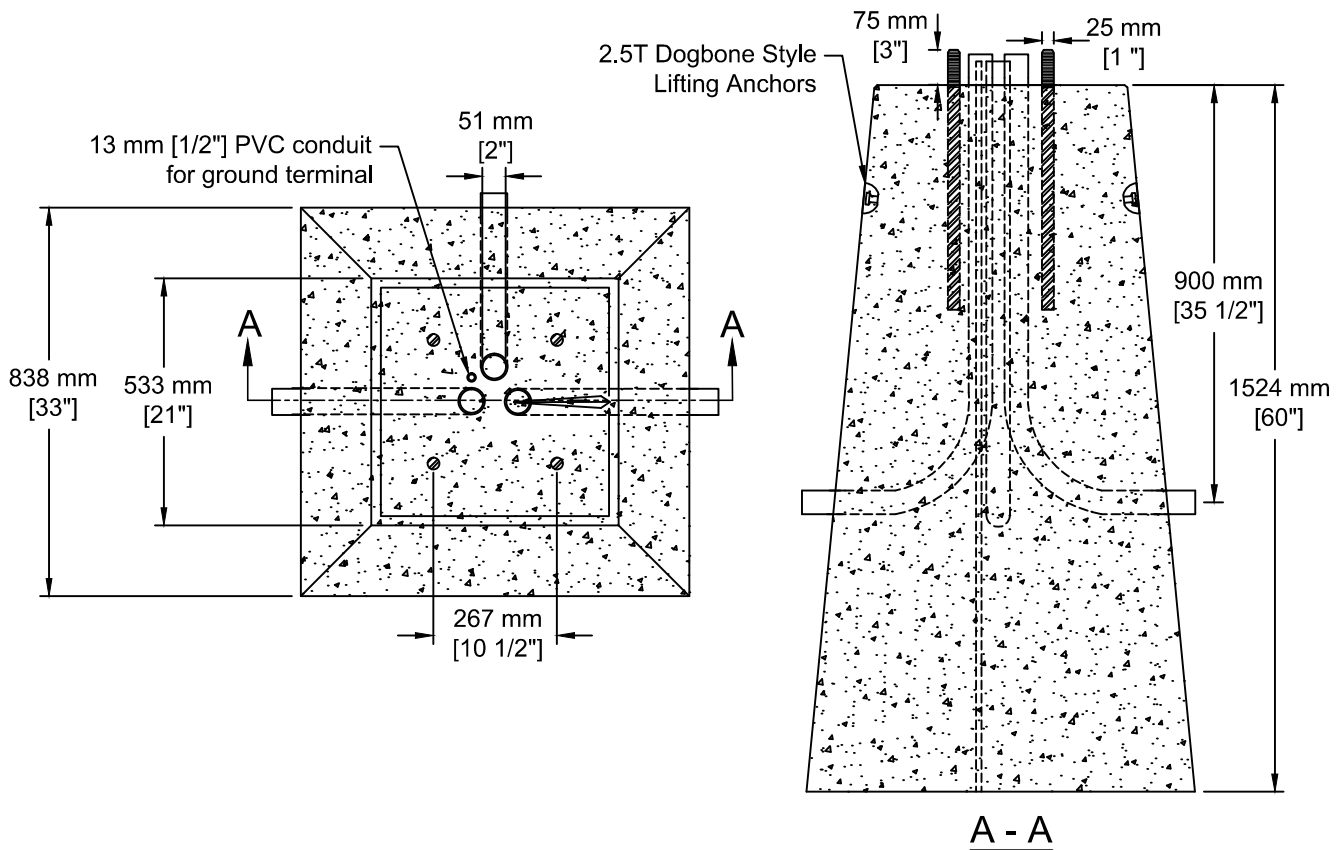


INSTALLATION INFORMATION
 2 - 2.5T DOGBONE STYLE LIFTING ANCHORS
 TOWN OF OLIVER DWG - SL-3
 10 1/2" BOLT PATTERN
 WEIGHT: 3473 LBS / 1575 KG



TEL: 250-495-7556
 socp@socp.ca
 www.socp.ca

SL-3 Oliver
 Concrete Street Light Base

Product #
 1253-SL3