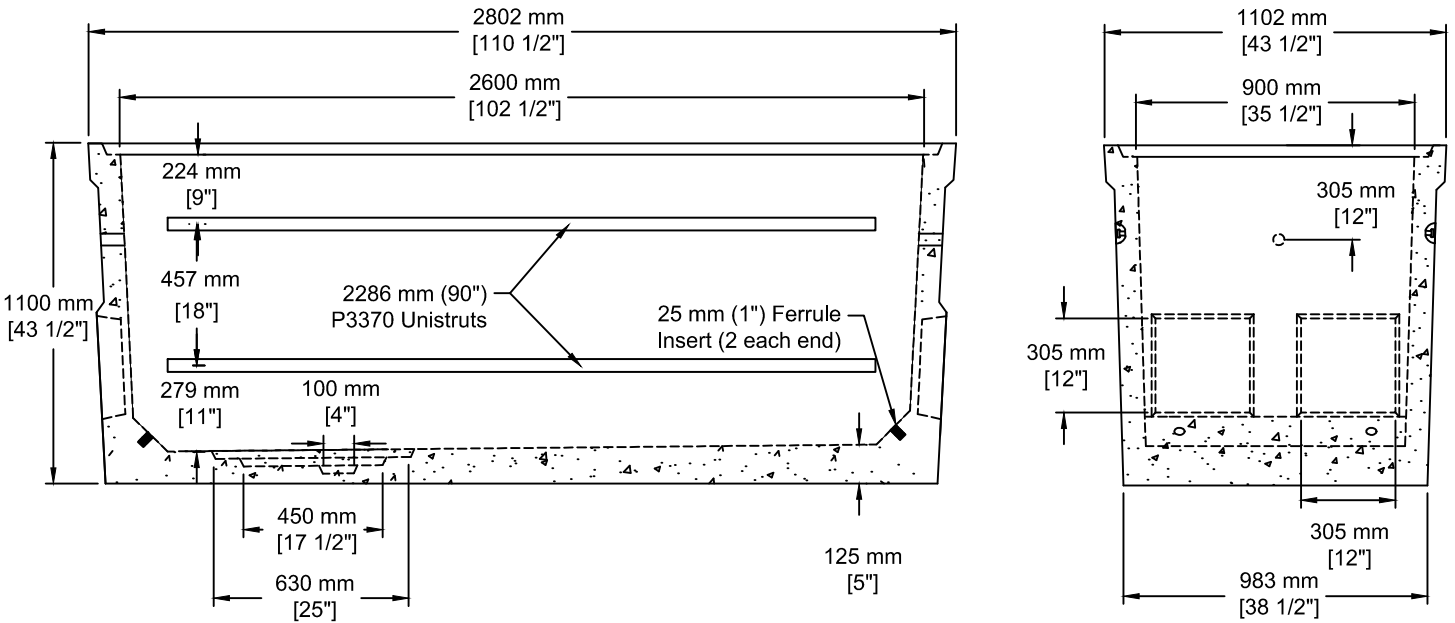


INSTALLATION INFORMATION

MANUFACTURED IN ACCORDANCE WITH CSA A23.4

4 - 2.5T DOGBONE STYLE LIFTING ANCHORS

WEIGHT: 4190 LBS / 1900 KG




SOUTH OKANAGAN CONCRETE PRODUCTS LTD
 TEL: 250-495-7556
 socp@socp.ca
 www.socp.ca
 Box 419, 11602 - 115 st Osoyoos, BC V0H 1V0 FAX: 250-495-3556

**3 Phase Primary
 Junction Box (832) - U-J3-1**

**Product #
 1210**