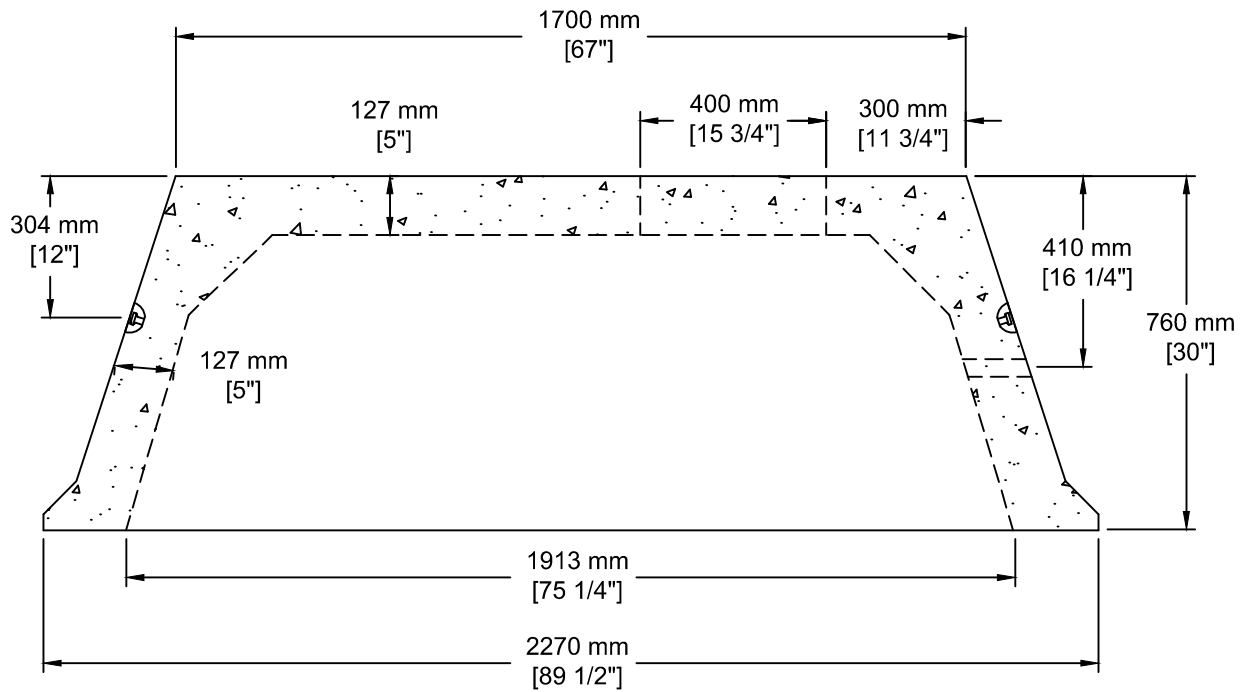


**INSTALLATION INFORMATION**

4 - 2.5T DOGBONE STYLE LIFTING ANCHORS  
 STANDARD DRAWING # E-5 U-V3-1  
 WEIGHT: 5560 LBS / 2522 KG



TEL: 250-495-7556  
 socp@socp.ca  
 www.socp.ca

Box 419, 11602 - 115 st Osoyoos, BC V0H 1V0

FAX: 250-495-3556

**3 Phase Transformer Pedestal**  
**U-V3-1**

Product #  
**1205**