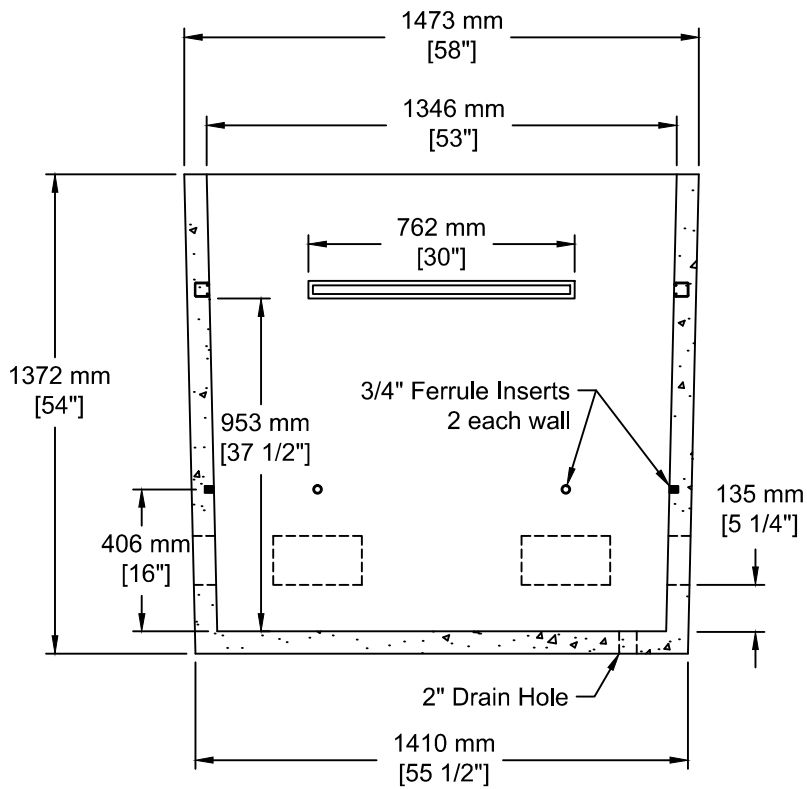


INSTALLATION INFORMATION
 4 - STEEL LIFTING CABLES FOR HANDLING
 WEIGHT: 3000 LBS / 1360 KG



TEL: 250-495-7556
 socp@socp.ca
 www.socp.ca

Box 419, 11602 - 115 st Osoyoos, BC V0H 1V0

FAX: 250-495-3556

**1 Phase Primary Junction Box
 (1.5 m) - U-J1-1**

Product #

1202