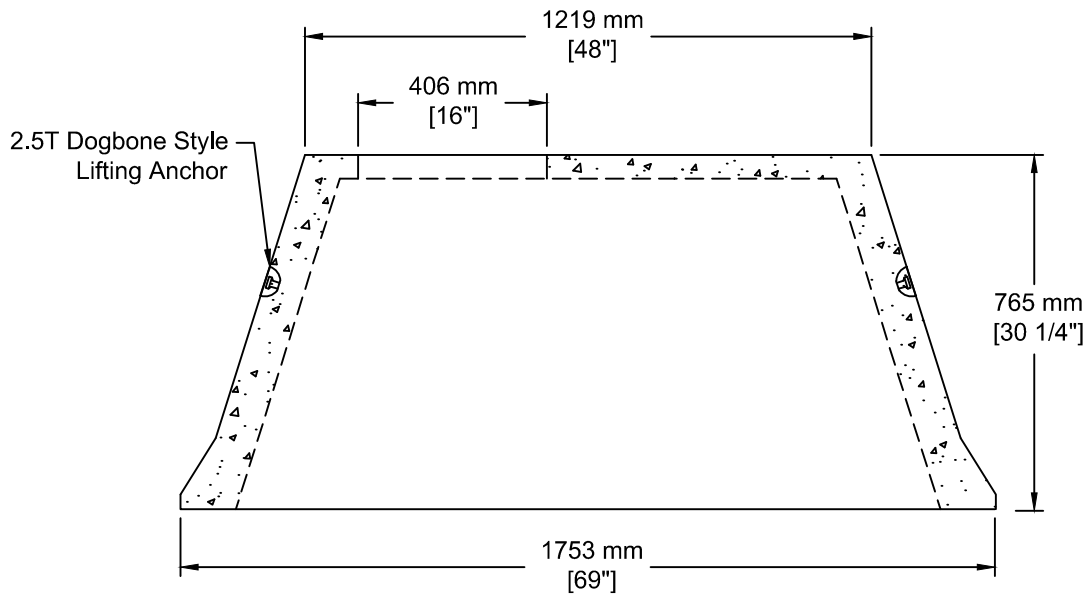


INSTALLATION INFORMATION

4 - 2.5T DOGBONE STYLE LIFTING ANCHORS
 STANDARD DRAWING # E-4 U-V1-1A
 WEIGHT: 4000 LBS / 1814 KG



TEL: 250-495-7556
 socp@socp.ca
 www.socp.ca

Box 419, 11602 - 115 st Osoyoos, BC V0H 1V0

FAX: 250-495-3556

1 Phase Padmount
 Transformer Pad

Product #

1200