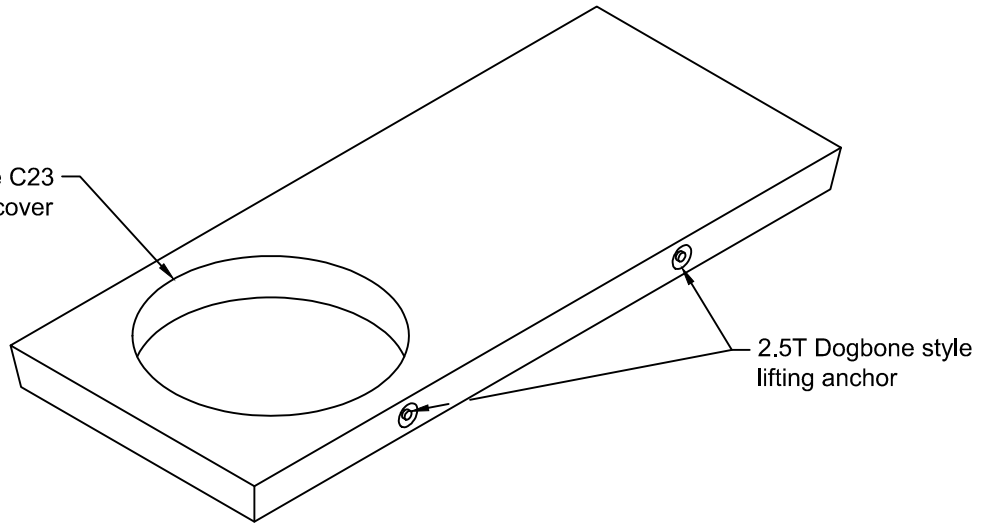
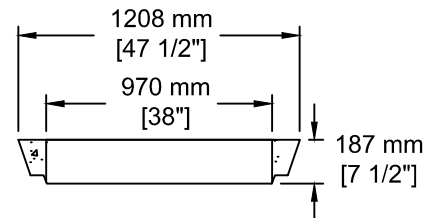
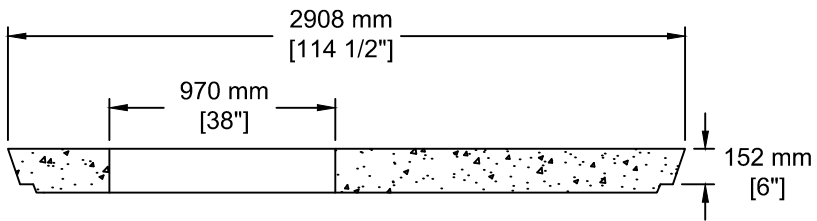


Void to Accommodate C23
frame and cover



2.5T Dogbone style
lifting anchor

INSTALLATION INFORMATION
 DESIGNED FOR H-20 DYNAMIC LOADING
 4 - 2.5T DOGBONE STYLE LIFTING ANCHORS
 WEIGHT: LBS / KG



Fortis # 755-0560

1594 Fortis 3 Phase
 Junction Vault Lid - H20 Dynamic
 Needs C23 frame & cover

Product #
1128



TEL: 250-495-7556
 socp@socp.ca
 www.socp.ca