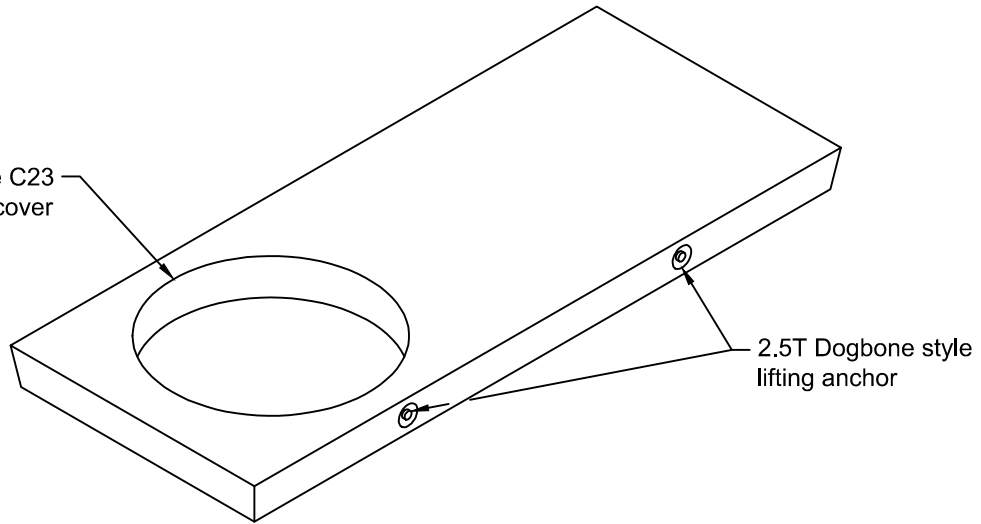
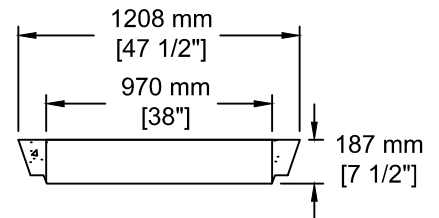
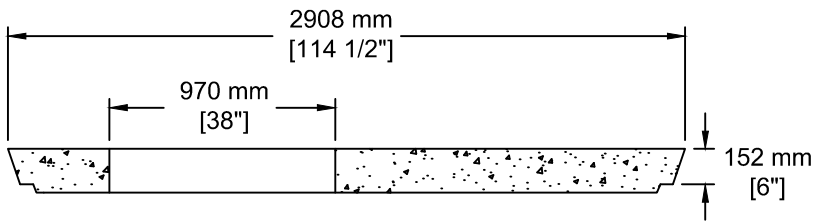


Void to Accommodate C23  
frame and cover



2.5T Dogbone style  
lifting anchor

**INSTALLATION INFORMATION**  
 DESIGNED FOR H-20 DYNAMIC LOADING  
 4 - 2.5T DOGBONE STYLE LIFTING ANCHORS  
 WEIGHT: LBS / KG



Fortis # 755-0560

1594 Fortis 3 Phase  
 Junction Vault Lid - H20 Dynamic  
 Needs C23 frame & cover

Product #  
**1127**



TEL: 250-495-7556  
 socp@socp.ca  
 www.socp.ca