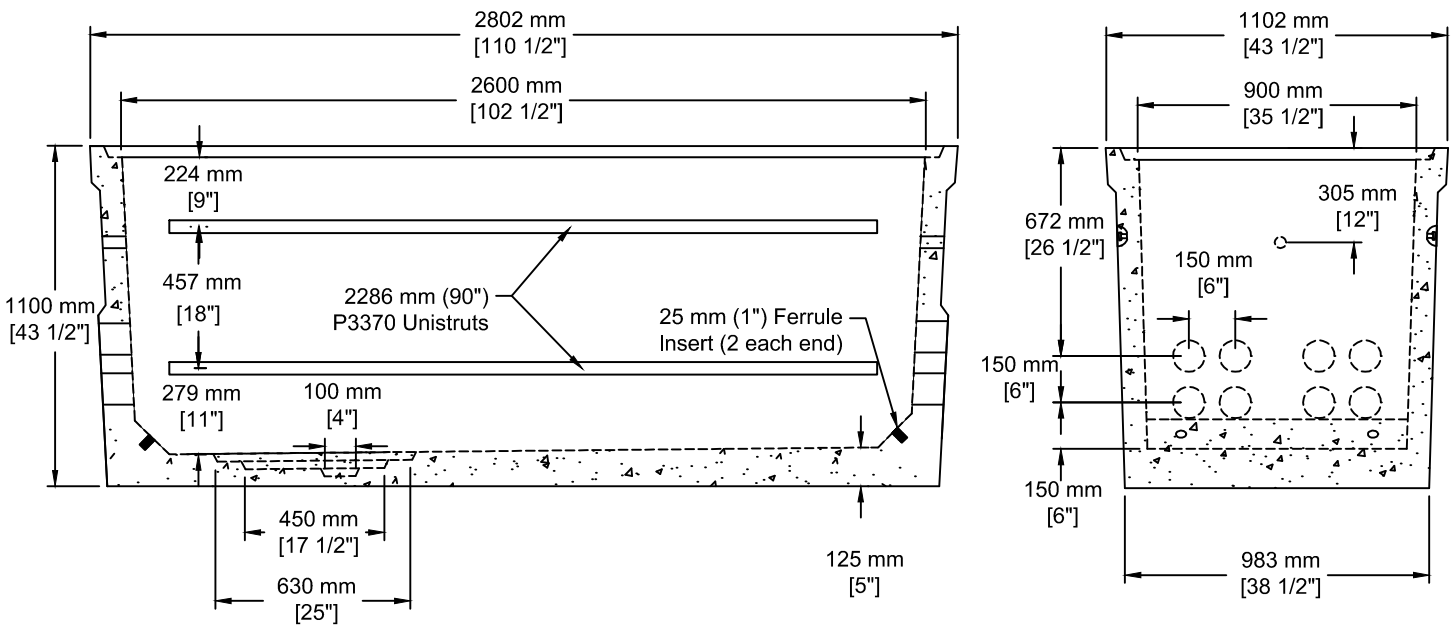


**INSTALLATION INFORMATION**

MANUFACTURED IN ACCORDANCE WITH CSA A23.4

4 - 2.5T DOGBONE STYLE LIFTING ANCHORS

WEIGHT: 4190 LBS / 1900 KG



Fortis # 755-0560


**SOUTH OKANAGAN CONCRETE PRODUCTS LTD**  
 TEL: 250-495-7556  
 socp@socp.ca  
 www.socp.ca  
Box 419, 11602 - 115 st Osoyoos, BC V0H 1V0 FAX: 250-495-3556

1594 Fortis 3 Phase 832 Junction Vault  
c/w Terminators

Product #  
**1125**