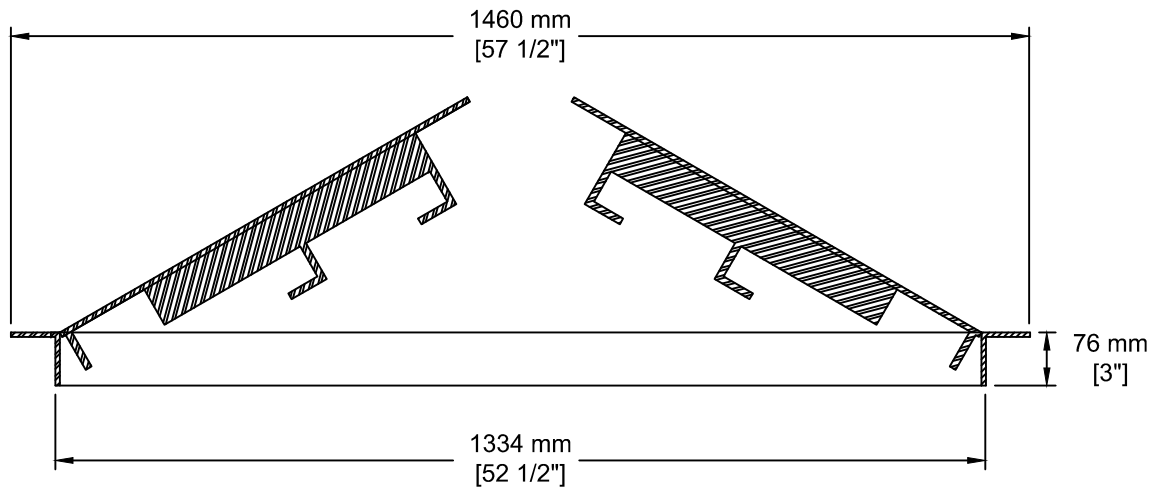


INSTALLATION INFORMATION
 DESIGNED FOR BOULEVARD (OFF-ROAD) USE H-20 STATIC LOADING



Fortis # 755-0612



TEL: 250-495-7556
 socp@socp.ca
 www.socp.ca

Box 419, 11602 - 115 st Osoyoos, BC V0H 1V0

FAX: 250-495-3556

1592 Fortis 3 Phase
 Junction Vault Steel Lid

Product #

1122