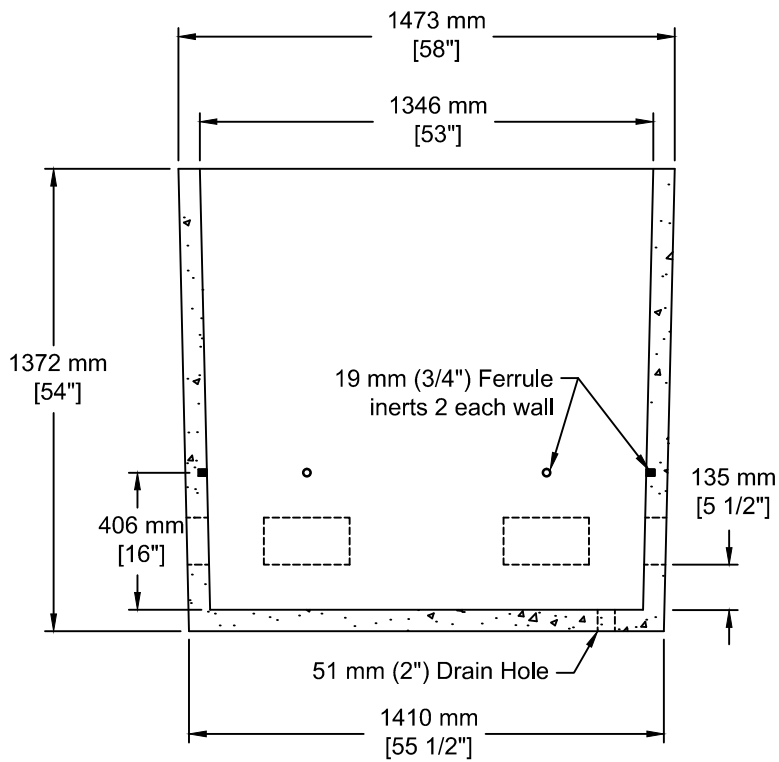


INSTALLATION INFORMATION
 MANUFACTURED IN ACCORDANCE WITH CSA A23.4
 4 - 5000 LBS GALVANIZED STEEL LIFTING CABLES FOR HANDLING
 WEIGHT: 3850 LBS / 1746 KG



TEL: 250-495-7556
 socp@socp.ca
 www.socp.ca

Box 419, 11602 - 115 st Osoyoos, BC V0H 1V0

FAX: 250-495-3556

**3 Phase Full Junction Vault
 No Unistruts**

**Product #
 1121**