

INSTALLATION INFORMATION

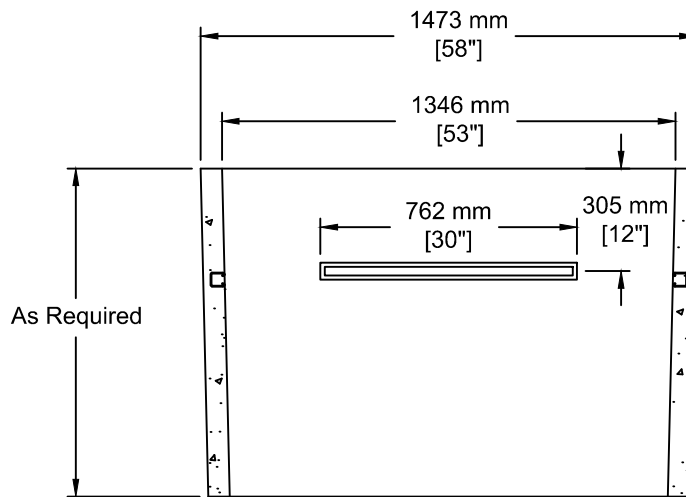
MANUFACTURED IN ACCORDANCE WITH CSA A23.4

4 - 5000 LBS GALVANIZED STEEL LIFTING CABLES FOR HANDLING

TO ACCOMPANY: STRUCTURE # 1592-2

FORTIS # 755-0509

WEIGHT: 3850 LBS / 1746 KG



TEL: 250-495-7556
 socp@socp.ca
 www.socp.ca

Box 419, 11602 - 115 st Osoyoos, BC V0H 1V0

FAX: 250-495-3556

3 Phase Junction Vault
 Riser /c Unistrut

Product #
1120-R