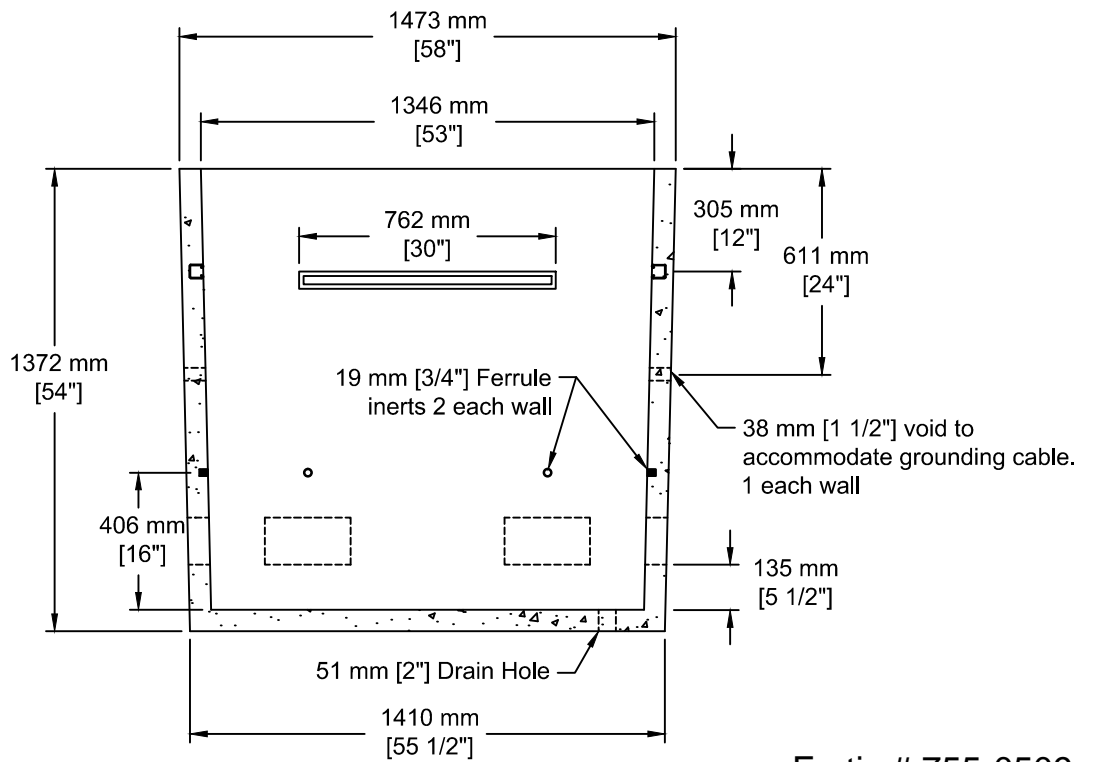


**INSTALLATION INFORMATION**

MANUFACTURED IN ACCORDANCE WITH CSA A23.4

4 - 5000 LBS GALVANIZED STEEL LIFTING CABLES FOR HANDLING

WEIGHT: 3850 LBS / 1746 KG



Fortis # 755-0509



TEL: 250-495-7556  
socp@socp.ca  
www.socp.ca

Box 419, 11602 - 115 st Osoyoos, BC V0H 1V0

FAX: 250-495-3556

1592 Fortis 3 Phase  
Full Junction Vault /c Knockouts

Product #  
**1120**