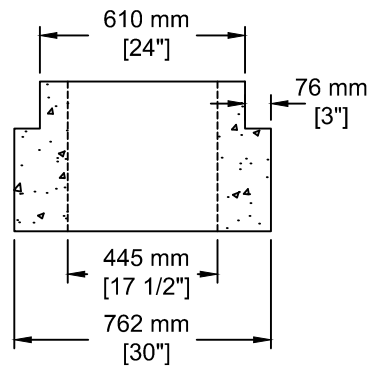
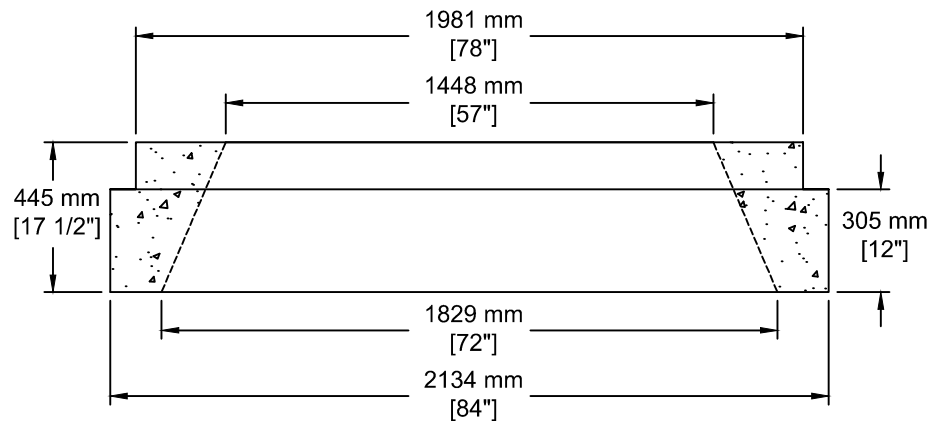


INSTALLATION INFORMATION
 MANUFACTURED IN ACCORDANCE WITH CSA A23.4



Fortis # 755-0504



TEL: 250-495-7556
 socp@socp.ca
 www.socp.ca

Box 419, 11602 - 115 st Osoyoos, BC V0H 1V0

FAX: 250-495-3556

1598 Fortis 3 Phase Above Grade
 200A Junction Base

Product #
1117