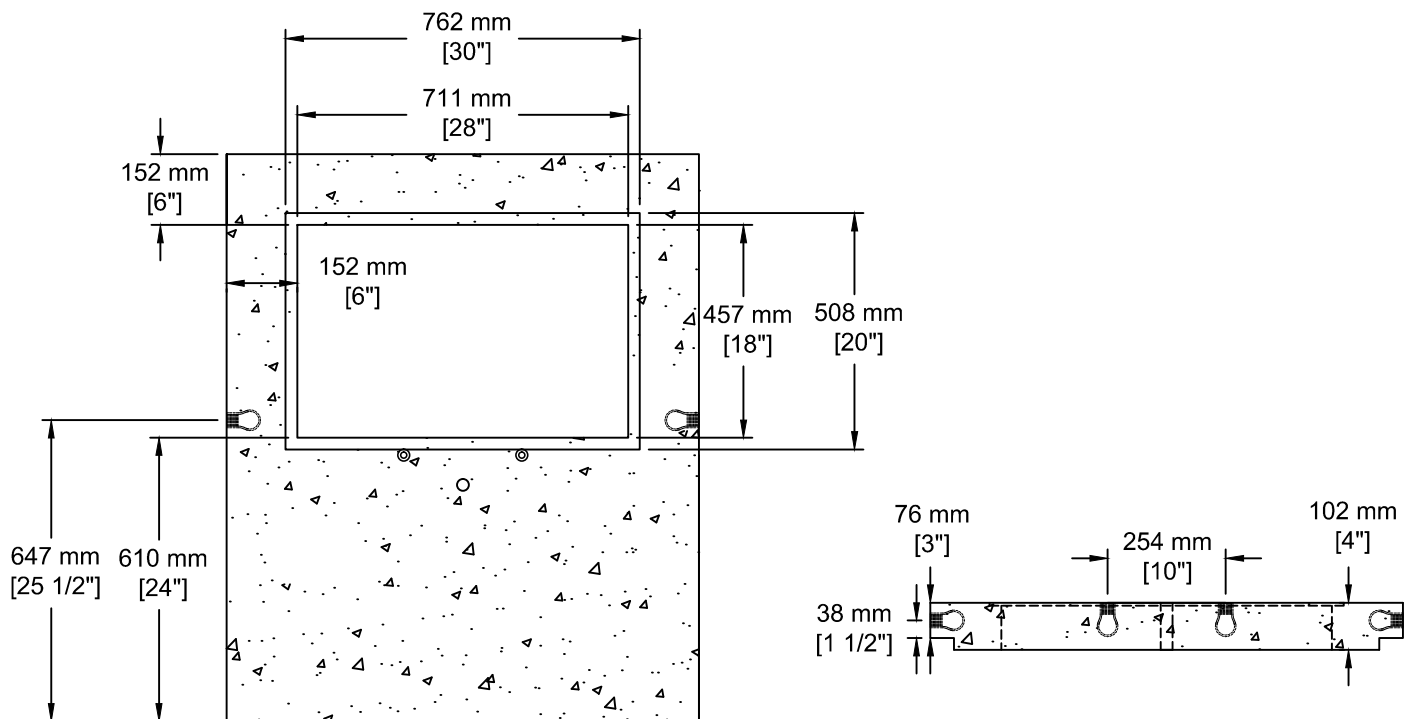


**INSTALLATION INFORMATION**

MANUFACTURED IN ACCORDANCE WITH CSA A23.4

4 - 13 MM FERRULE LOOP INSERTS

WEIGHT: 461 LBS / 209 KG



Fortis # 755-0602



TEL: 250-495-7556  
socp@socp.ca  
www.socp.ca

1593 Fortis Single Phase  
Transformer Box Concrete Lid

Product #

**1107**