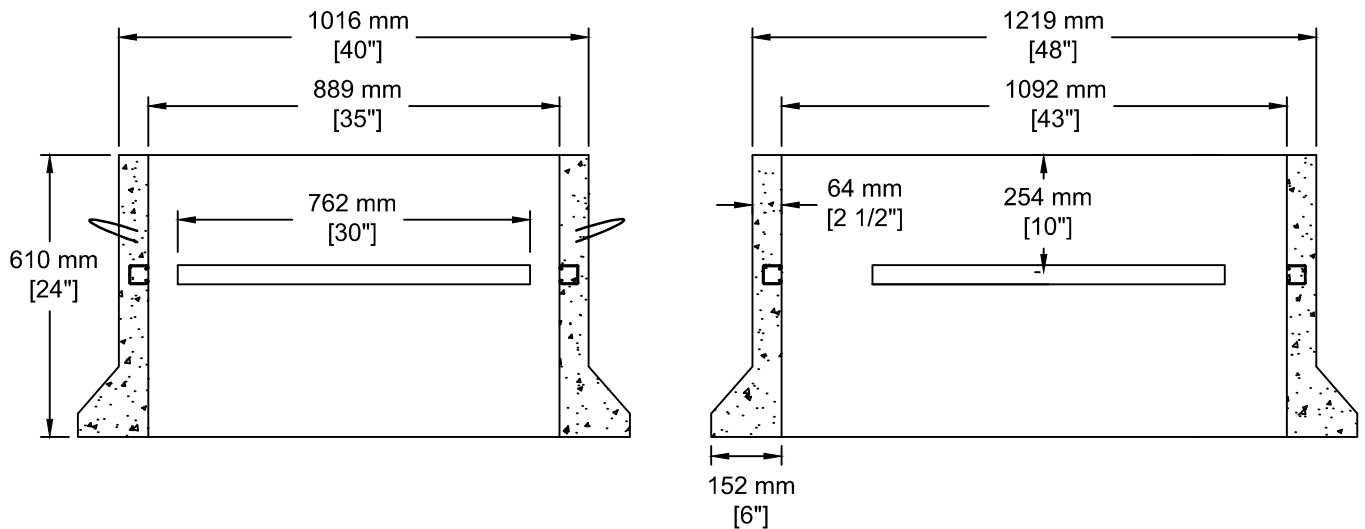


INSTALLATION INFORMATION

MANUFACTURED IN ACCORDANCE WITH CSA A23.4
 2 - 1600 LBS. GALVANIZED STEEL LIFTING CABLE FOR HANDLING
 WEIGHT: 1090 LBS / 494 KG



Fortis # 755-0506



TEL: 250-495-7556
 socp@socp.ca
 www.socp.ca

Box 419, 11602 - 115 st Osoyoos, BC V0H 1V0

FAX: 250-495-3556

1591 Fortis Single Phase
 Junction Vault /c Unistruts

Product #

1105-JV