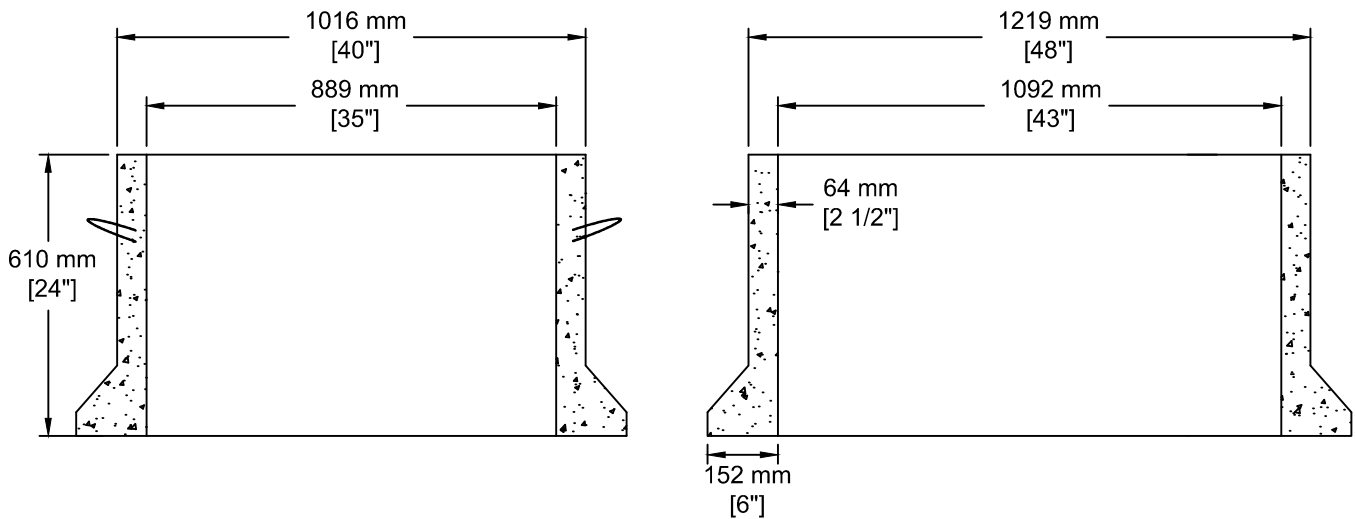


INSTALLATION INFORMATION

MANUFACTURED IN ACCORDANCE WITH CSA A23.4

2 - 1600 LBS. GALVANIZED STEEL LIFTING CABLE FOR HANDLING

WEIGHT: 1090 LBS / 494 KG



**SOUTH OKANAGAN
CONCRETE PRODUCTS LTD**

TEL: 250-495-7556

socp@socp.ca

www.socp.ca

Single Phase Transformer Box
No Unistruts

Product #

1104