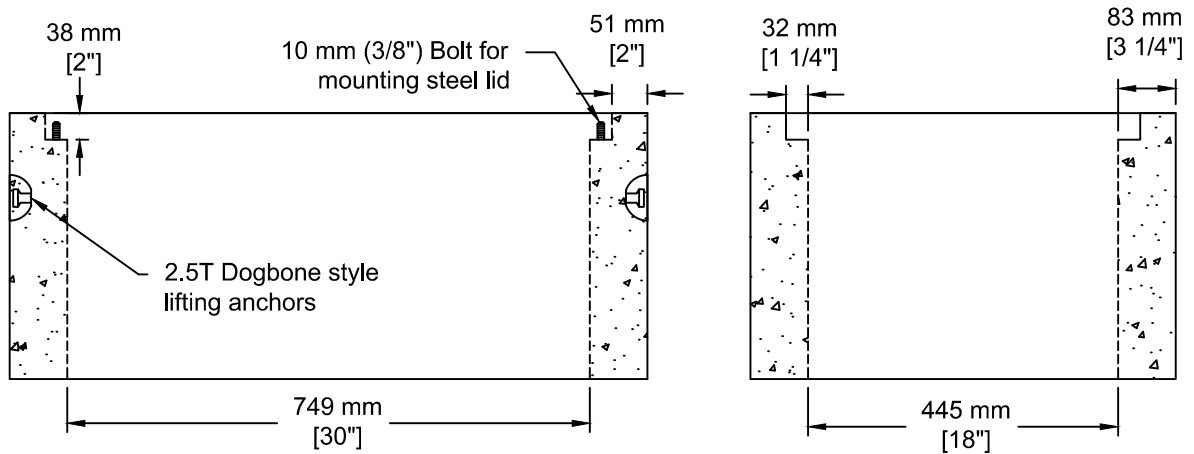


INSTALLATION INFORMATION

MANUFACTURED IN ACCORDANCE WITH CSA A23.4

2 - 2.5T DOGBONE STYLE LIFTING ANCHORS

WEIGHT: 458 LBS / 207 KG



Fortis # 755-0501



TEL: 250-495-7556
 socp@socp.ca
 www.socp.ca

Box 419, 11602 - 115 st Osoyoos, BC V0H 1V0

FAX: 250-495-3556

1590 Fortis Service Box

Product #

1100