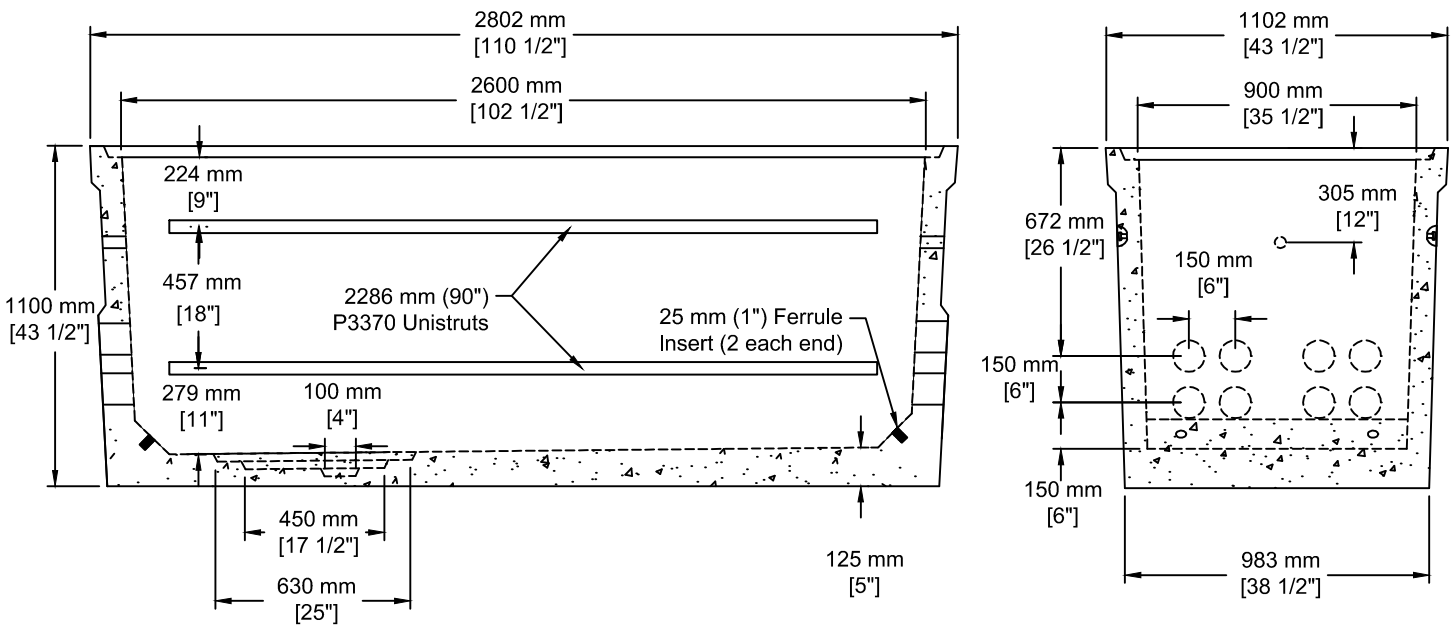


INSTALLATION INFORMATION

MANUFACTURED IN ACCORDANCE WITH CSA A23.4

4 - 2.5T DOGBONE STYLE LIFTING ANCHORS

WEIGHT: 4190 LBS / 1900 KG



TEL: 250-495-7556
 socp@socp.ca
 www.socp.ca

Tel 832 Junction Vault

Product #

1035