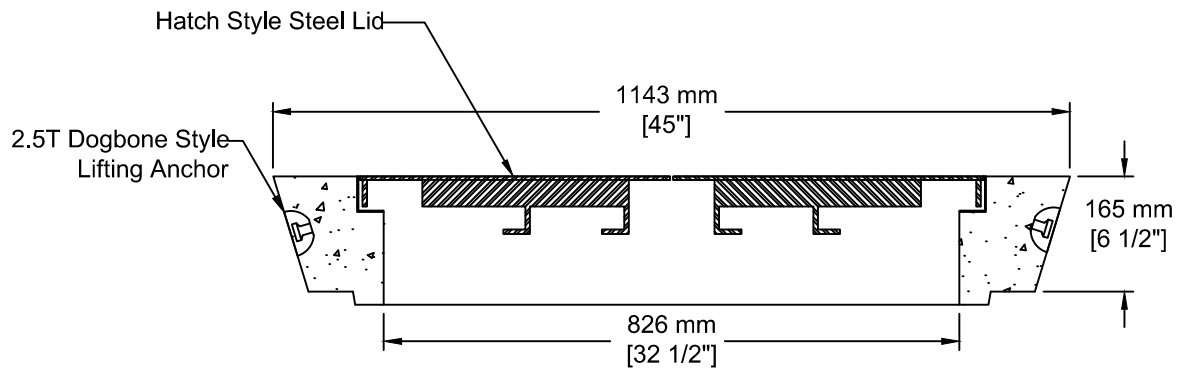


INSTALATION INFORMATION

2 - 2.5T DOGBONE STYLE LIFTING ANCHORS

STEEL HATCH LID

WEIGHT: 680 LBS / 308 KG



TEL: 250-495-7556
 socp@socp.ca
 www.socp.ca

Box 419, 11602 - 115 st Osoyoos, BC V0H 1V0

FAX: 250-495-3556

**1.0 Meter Service Vault
 Steel Lid c/ Concrete Collar**

Product #

1011