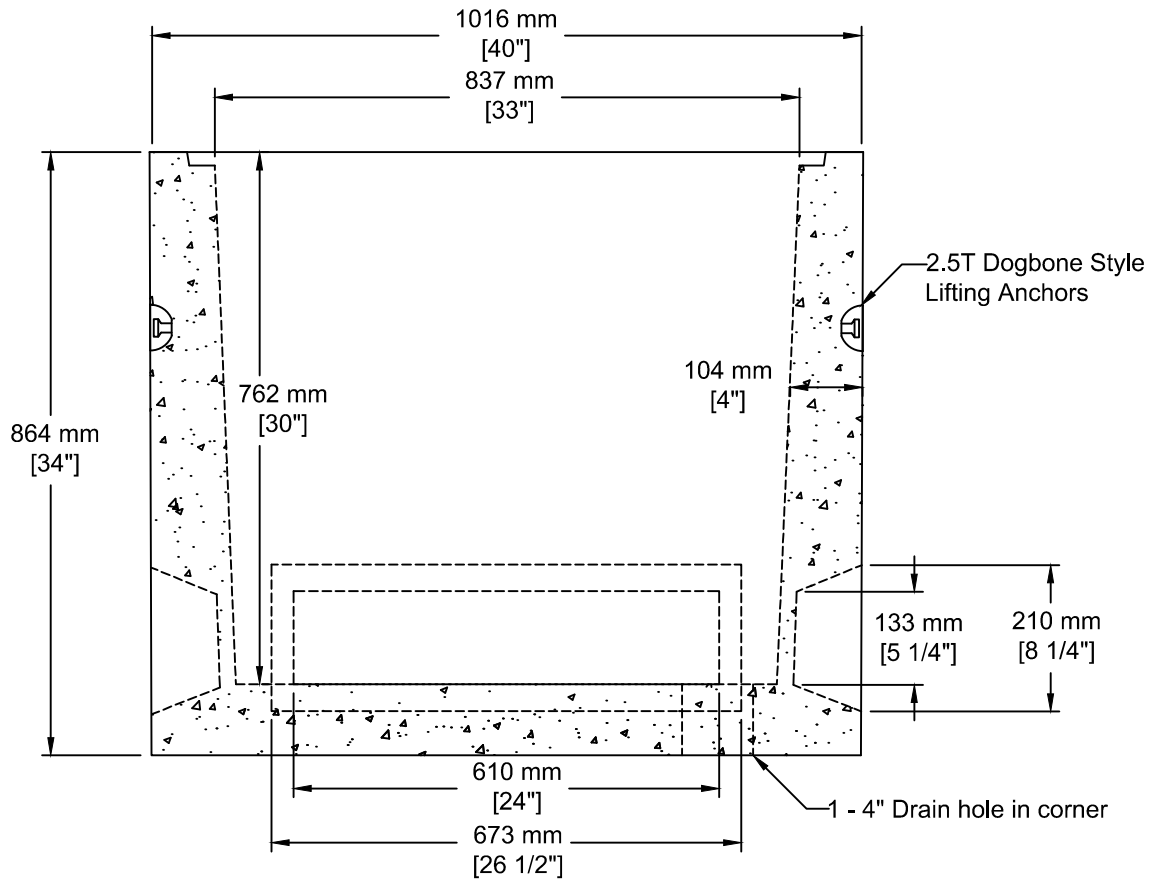


**INSTALLATION INFORMATION**

2 - 2.5T DOGBONE STYLE LIFTING ANCHORS

WEIGHT: 2895 LBS / 1315 KG



TEL: 250-495-7556  
 socp@socp.ca  
 www.socp.ca

**1.0 Meter Service Vault  
 No Unistruts**

**Product #  
 1010-N**