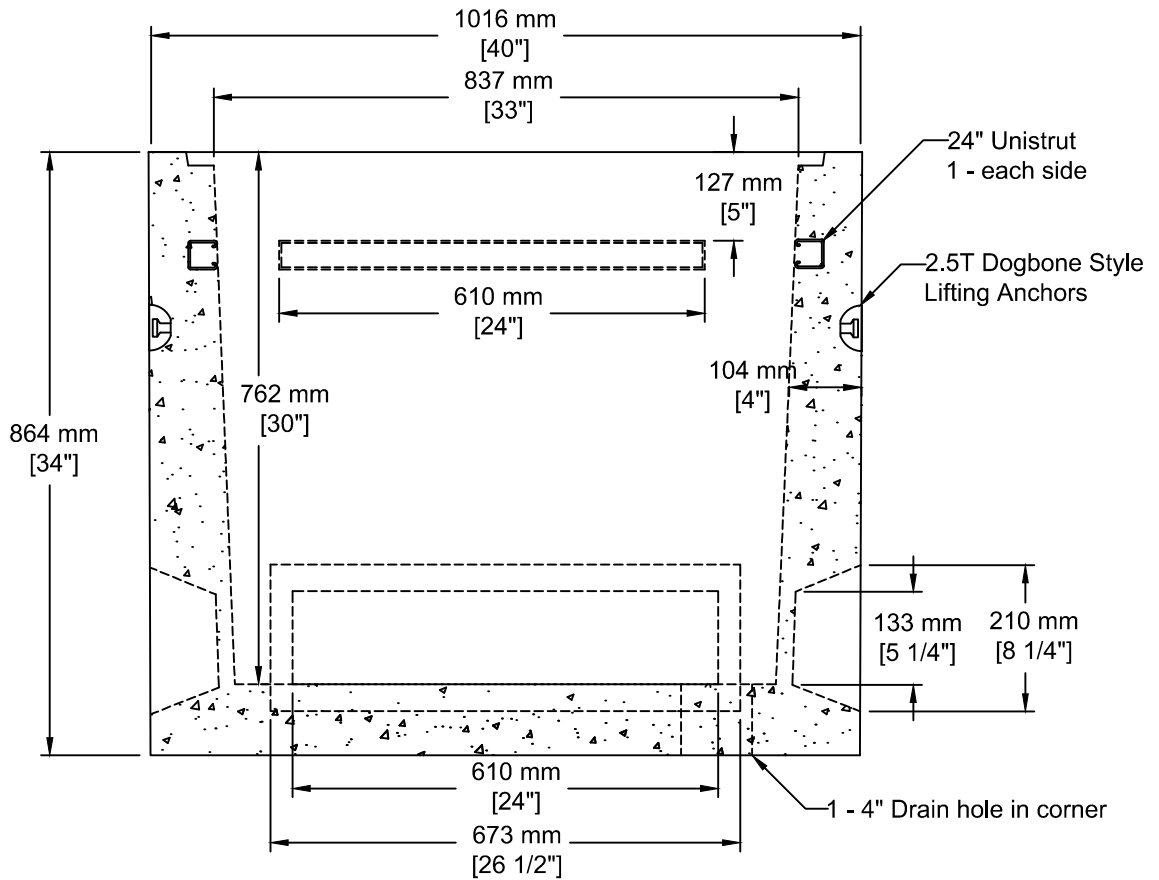


INSTALLATION INFORMATION

2 - 2.5T DOGBONE STYLE LIFTING ANCHORS

WEIGHT: 2895 LBS / 1315 KG



TEL: 250-495-7556
 socp@socp.ca
 www.socp.ca

**1.0 Meter Service Vault
 c/ Unistruts**

Product #

1010