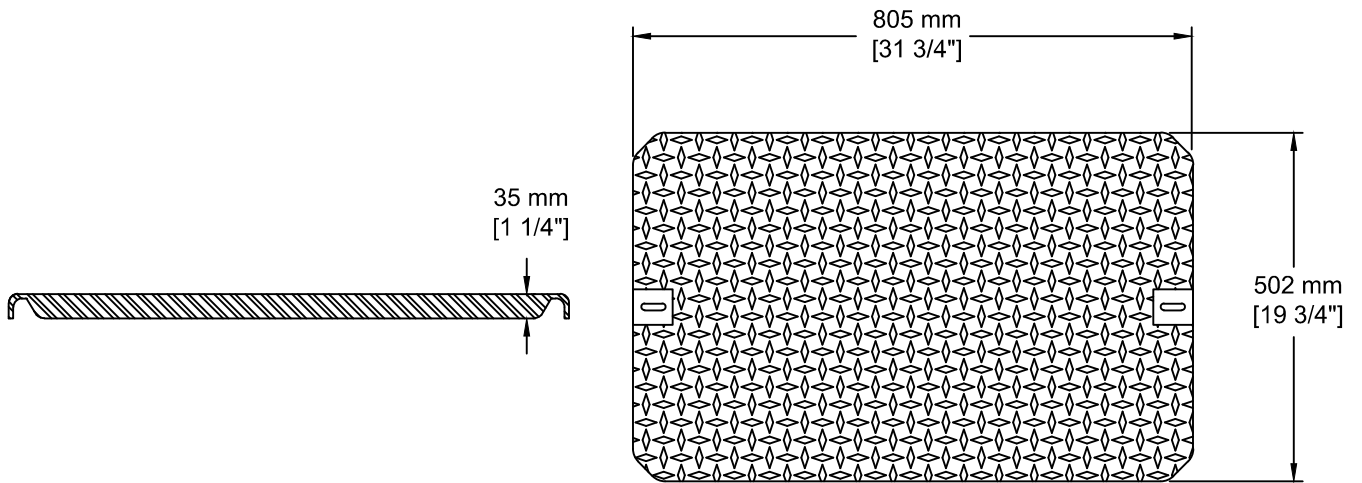


INSTALLATION INFORMATION

H-20 LOAD RATED



TEL: 250-495-7556
socp@socp.ca
www.socp.ca

2436 Service Box Lid

Product #

1005-L