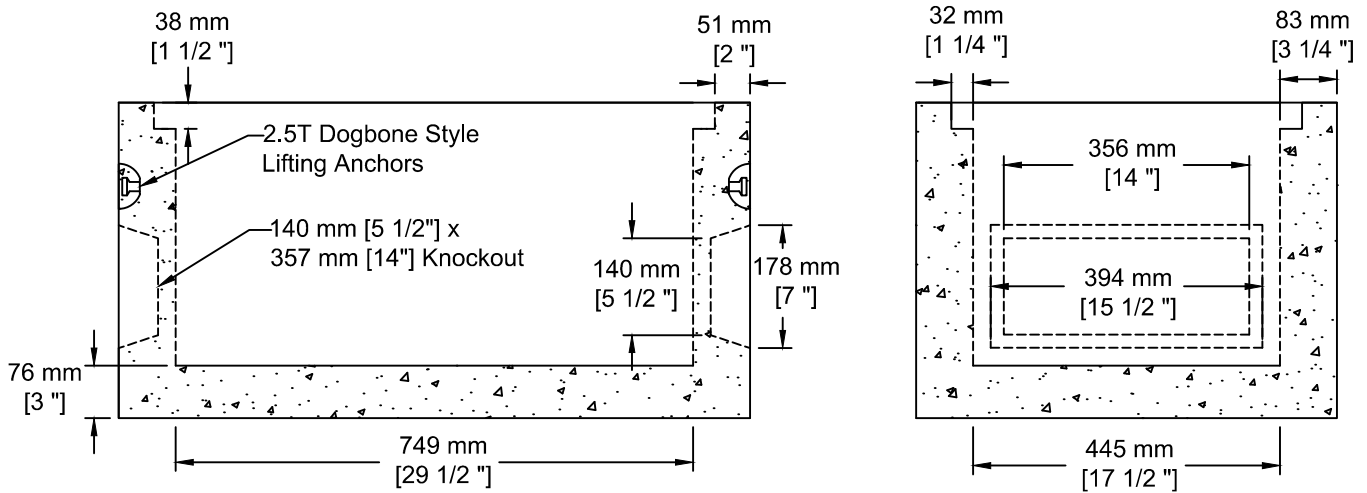


INSTALLATION INFORMATION

2 - 2.5T DOGBONE STYLE LIFTING ANCHORS

WEIGHT: 532 LBS / 241 KG



TEL: 250-495-7556

socp@socp.ca

www.socp.ca

Box 419, 11602 - 115 st. Osoyoos, BC. V0H 1V0

FAX: 250-495-3556

**2436 Service Box Base
/c Knockouts**

Product #

1005-B