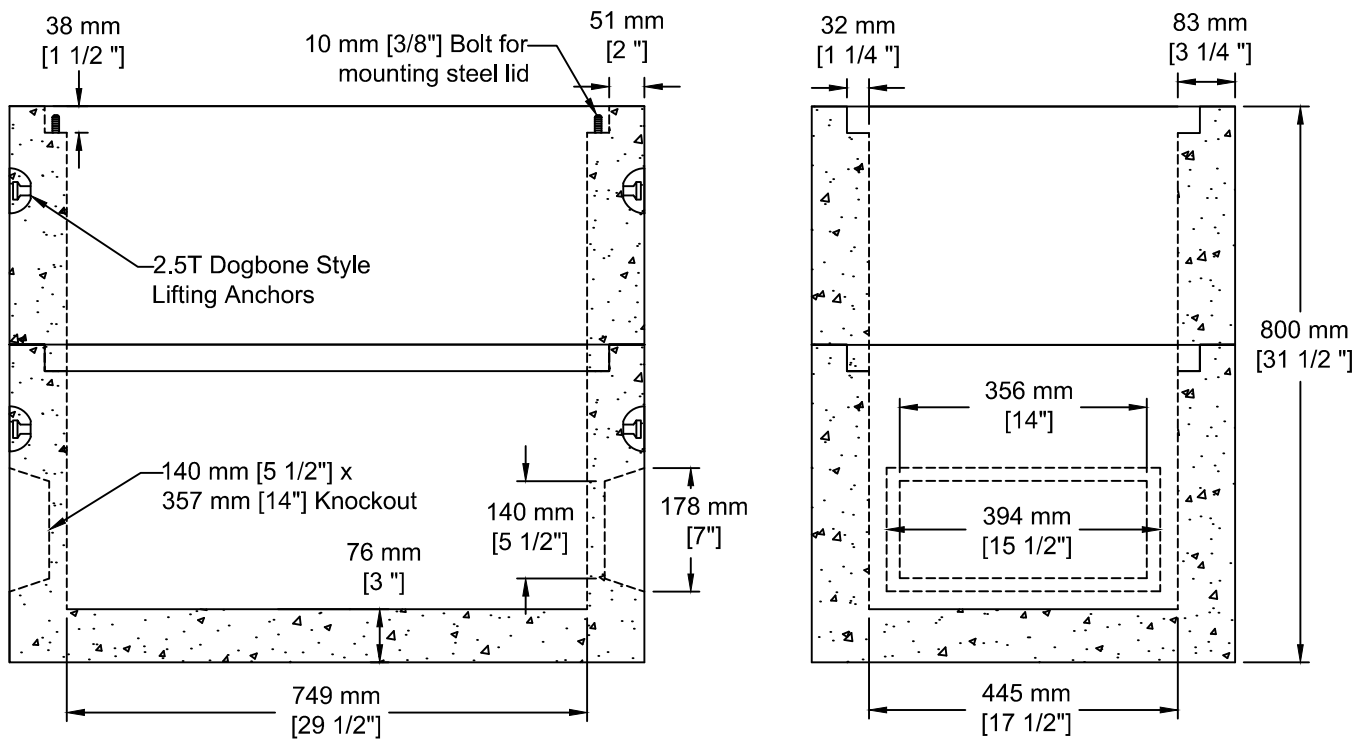


**INSTALLATION INFORMATION**

**2 - 2.5T DOGBONE STYLE LIFTING ANCHORS**

**WEIGHT: LBS / KG**



TEL: 250-495-7556  
 socp@socp.ca  
 www.socp.ca

**2436 Service Box**

**Product #**

**1005**