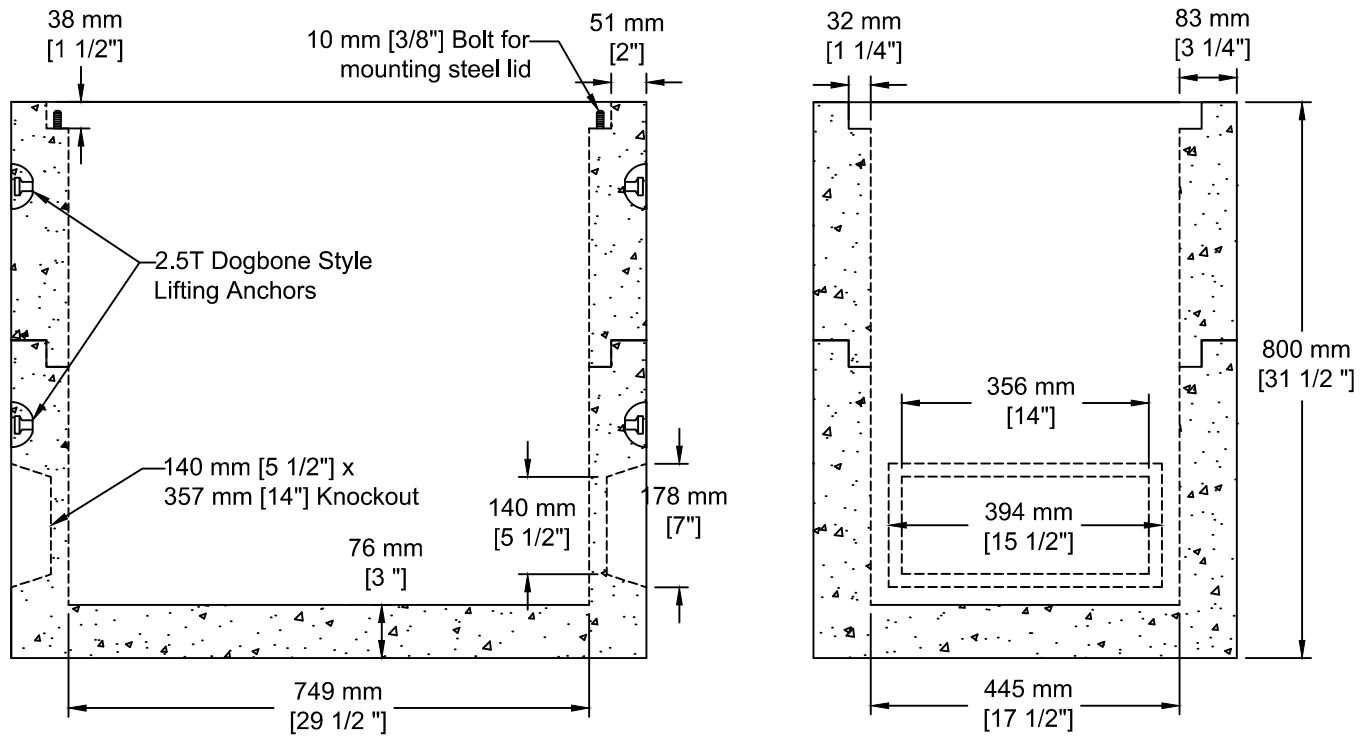


INSTALLATION INFORMATION
2 - 2.5T DOGBONE STYLE LIFTING ANCHORS
WEIGHT: LBS / KG



SOCPC
 SOUTH OKANAGAN
 CONCRETE PRODUCTS LTD

TEL: 250-495-7556
 socpc@socpc.ca
 www.socpc.ca

Box 419, 11602 - 115 st Osoyoos, BC V0H 1V0 FAX: 250-495-3556

T266-Service Box c/ Base, Riser
Knockouts & Steel Lid

Product #
1003