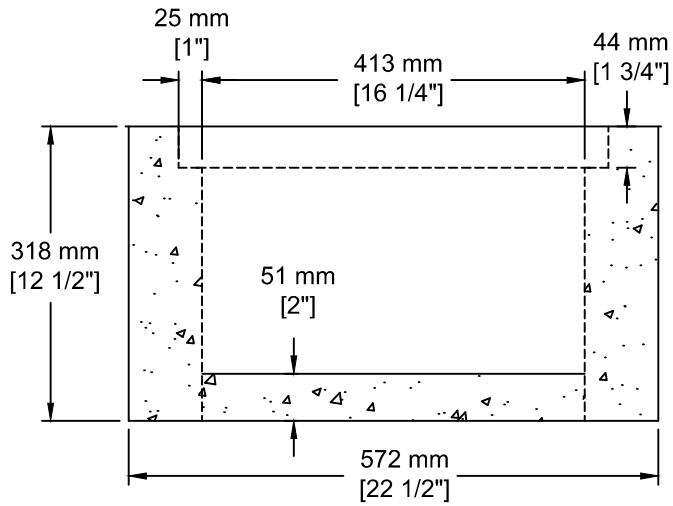
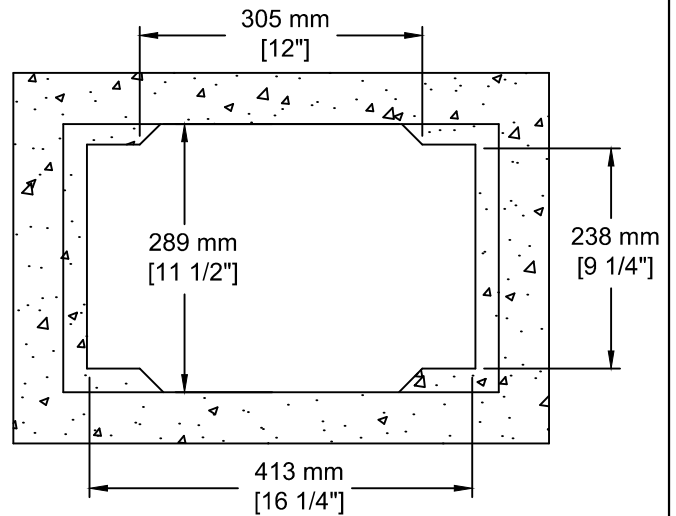


INSTALLATION INFORMATION
STEEL CABLE FOR HANDLING
WEIGHT: LBS / KG

Side View



Top View



TEL: 250-495-7556
socp@socp.ca
www.socp.ca

Box 419, 11602 - 115 st Osoyoos, BC V0H 1V0

FAX: 250-495-3556

Type 37 Service Box
c/ Floor

Product #

1000-F