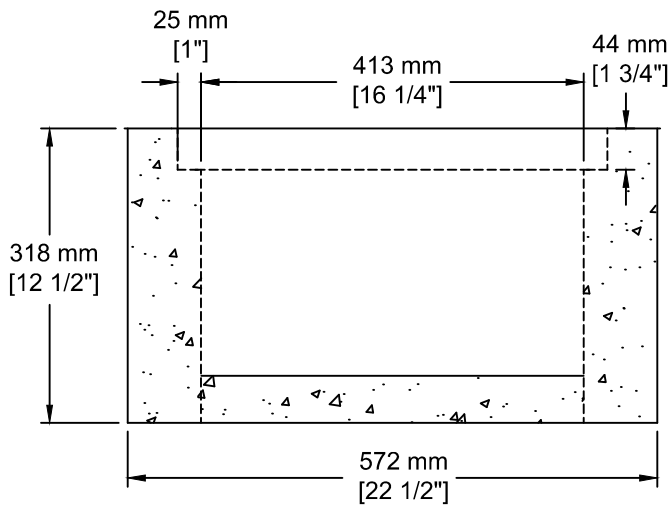
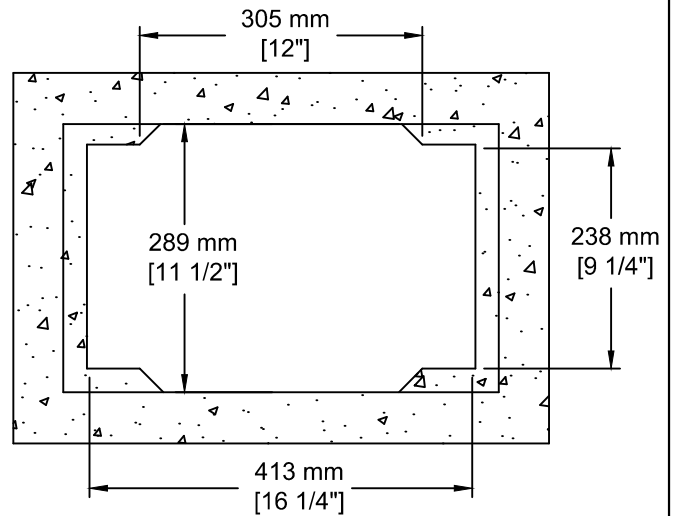


**INSTALLATION INFORMATION**  
**STEEL CABLE FOR HANDLING**  
**WEIGHT: 150 LBS / 68 KG**

Side View



Top View



TEL: 250-495-7556  
 socp@socp.ca  
 www.socp.ca

**Type 37 Catch Basin and Base**  
**c/ #37 Grate**

**Product #**  
**1000-CB**