

INSTALLATION INFORMATION

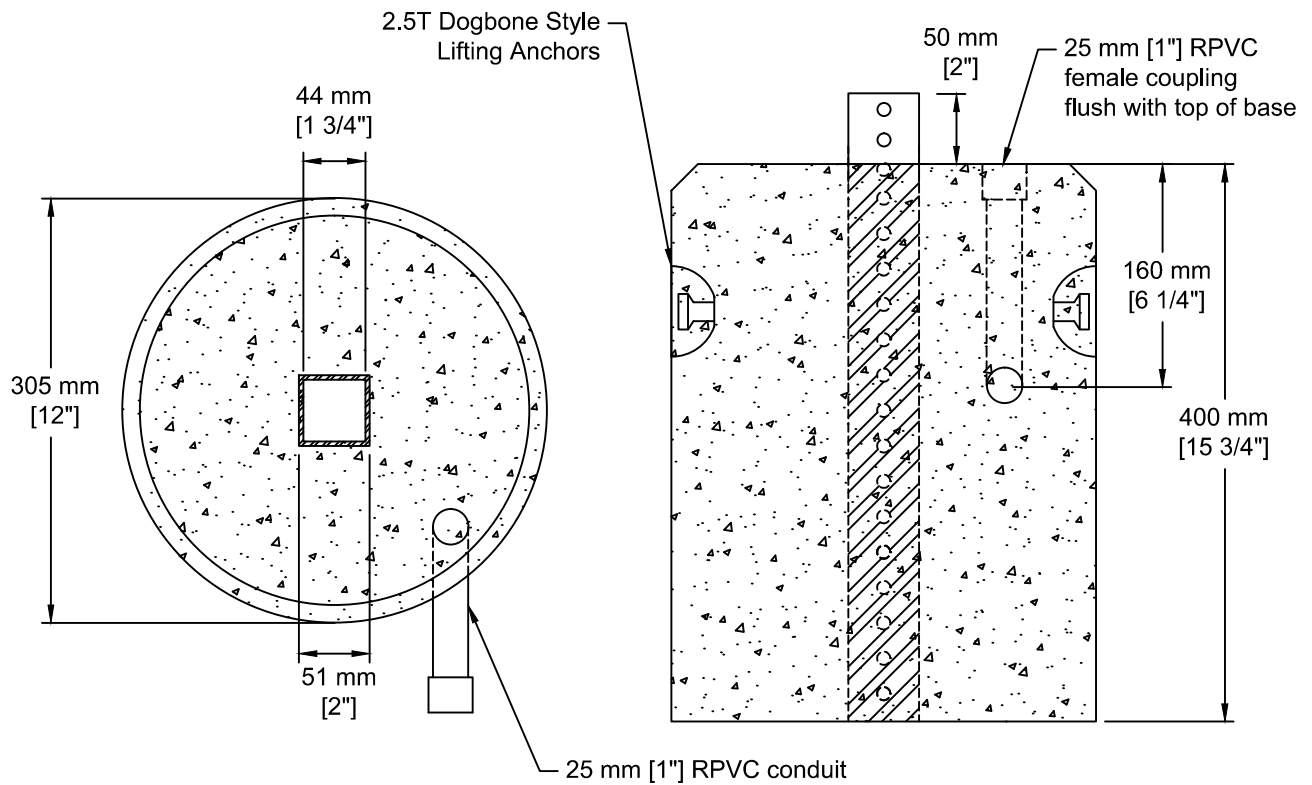
2 - 2.5T DOGBONE STYLE LIFTING ANCHORS

MOTH # - SP235

CONDUIT - AS PER REQUEST

BOLT PATTERN - AS PER REQUEST

WEIGHT: 160 LBS / 73 KG



TEL: 250-495-7556

socp@socp.ca

www.socp.ca

Box 419, 11602 - 115 st Osoyoos, BC V0H 1V0

FAX: 250-495-3556

Post Flasher Base
MOTH - 43.3 - SP235

Product #

0985