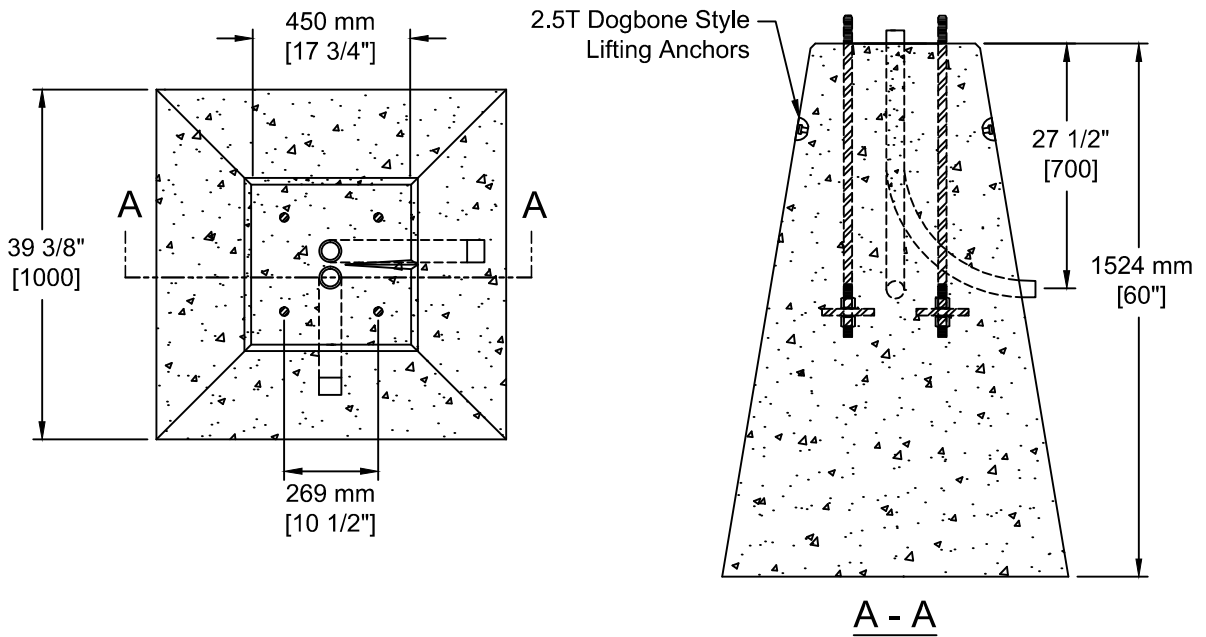


INSTALLATION INFORMATION
 2 - 2.5T DOGBONE STYLE LIFTING ANCHORS
 BOLT CIRCLE - 15" (381MM)
 CONDUIT - AS REQUIRED
 WEIGHT: 4410 LBS / 2000 KG



TEL: 250-495-7556
 socp@socp.ca
 www.socp.ca

**MMCD - Type C-1
 Concrete Base**

**Product #
 0974**