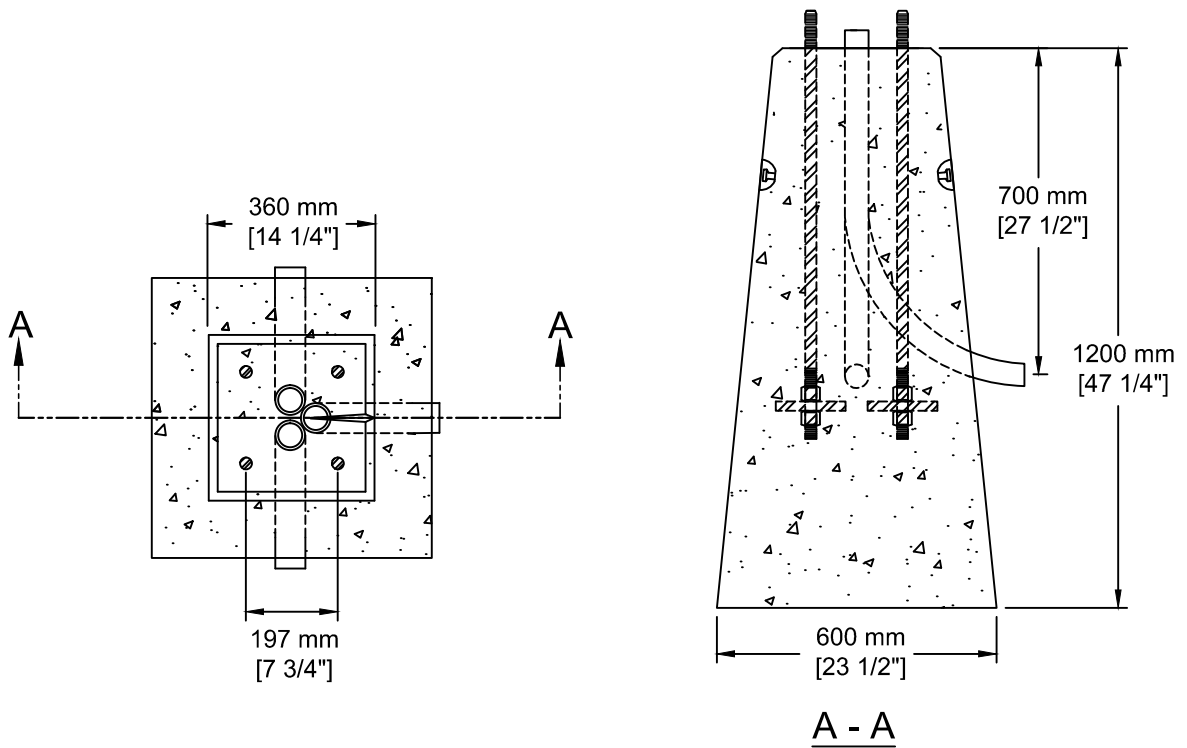


INSTALLATION INFORMATION
 2 - 2.5T DOGBONE STYLE LIFTING ANCHORS
 BOLT CIRCLE - 11" (280MM)
 CONDUIT - AS REQUIRED
 WEIGHT: 1556 LBS / 706 KG



TEL: 250-495-7556
 socp@socp.ca
 www.socp.ca

Box 419, 11802 - 115 st Osoyoos, BC V0H 1V0

FAX: 250-495-3556

**MMCD - Type C-2
 Concrete Base**

**Product #
 0972**