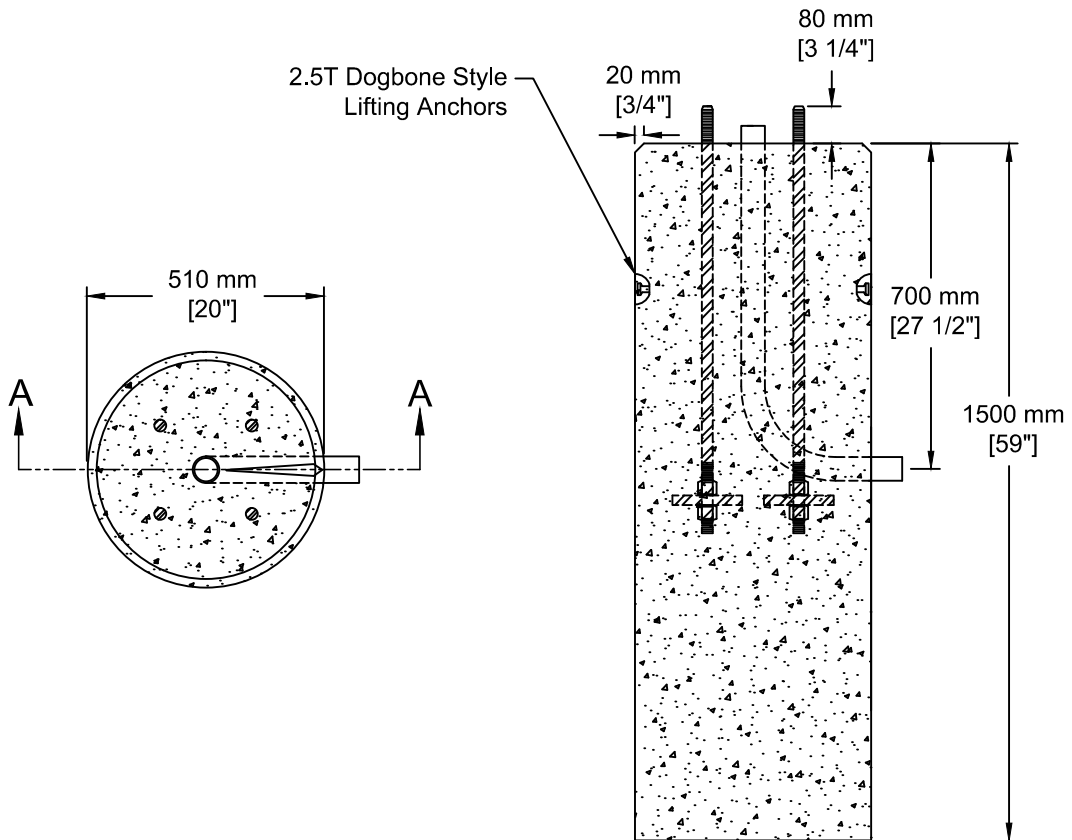


INSTALLATION INFORMATION
 2 - 2.5T DOGBONE STYLE LIFTING ANCHORS
 MMCD DWG # E1.2
 CONDUIT - AS REQUIRED
 BOLT PATTERN - AS REQUIRED
 WEIGHT: 1676 LBS / 760 KG



TEL: 250-495-7556
 socp@socp.ca
 www.socp.ca

SOUTH OKANAGAN
 CONCRETE PRODUCTS LTD

**MMCD - Type B
 Concrete Base**

Product #

0971