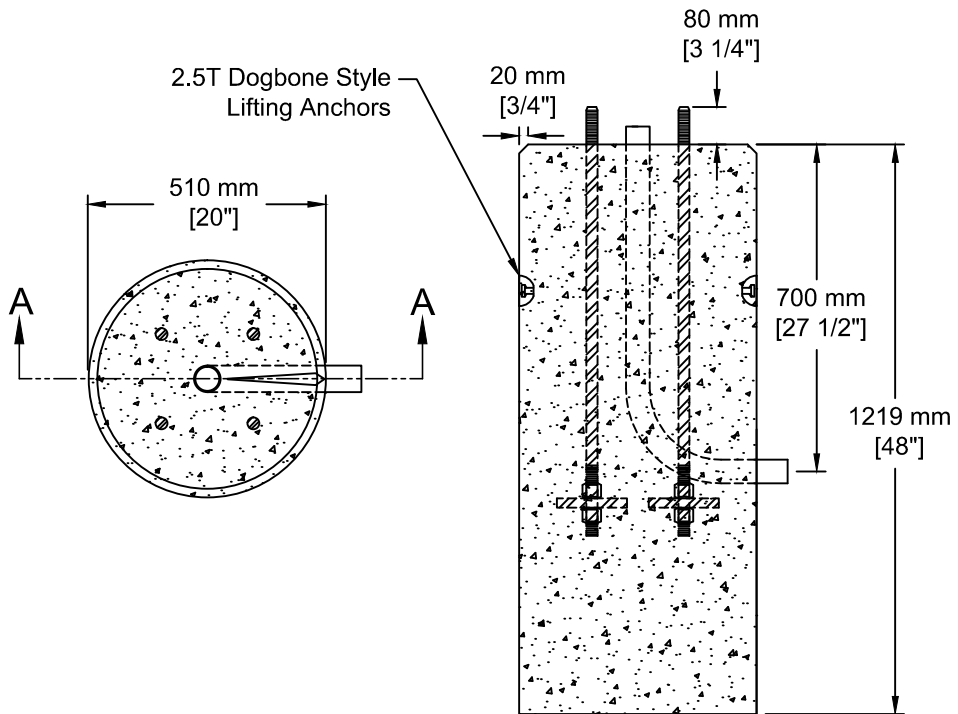


INSTALLATION INFORMATION
 2 - 2.5T DOGBONE STYLE LIFTING ANCHORS
 MMCD DWG # E1.2
 CONDUIT - AS REQUIRED
 BOLT PATTERN - AS REQUIRED
 WEIGHT: 1206 LBS / 547 KG



TEL: 250-495-7556
 socp@socp.ca
 www.socp.ca

**MMCD - Type A
 Concrete Base**

**Product #
 0970**