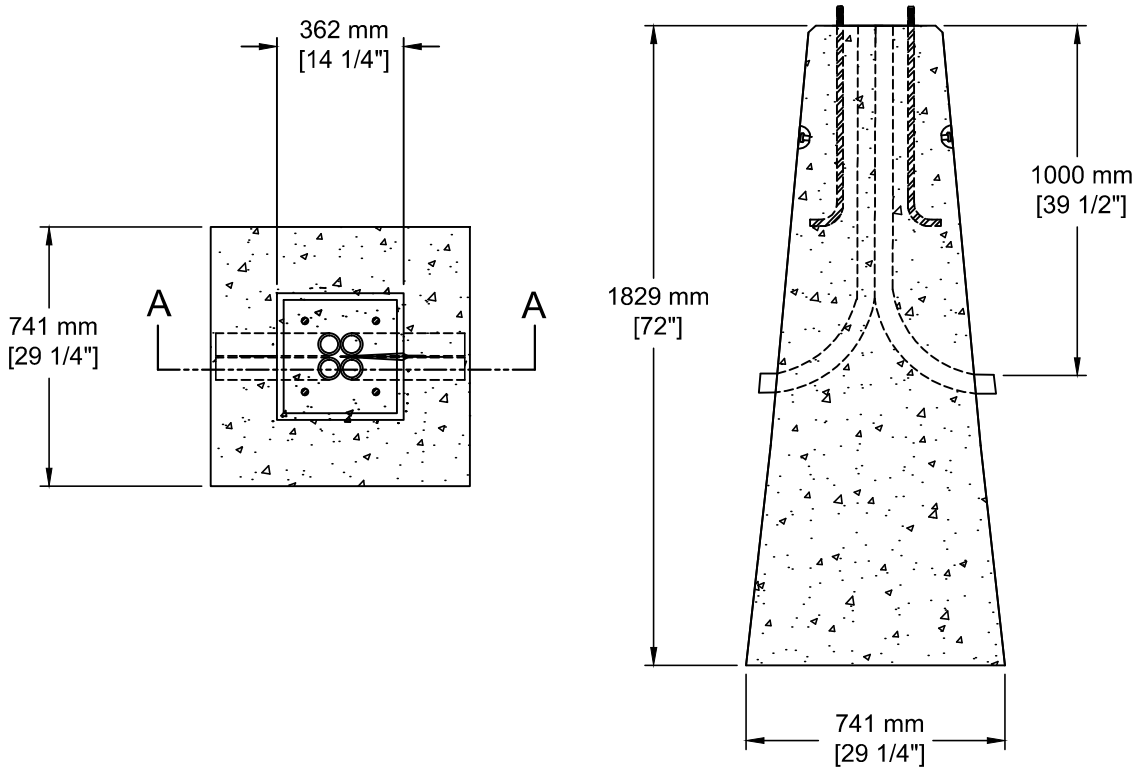


INSTALLATION INFORMATION

- 2 - 2.5T DOGBONE STYLE LIFTING ANCHORS
- BOLT SQUARE - AS REQUIRED
- CONDUIT - AS REQUIRED



TEL: 250-495-7556
 socp@socp.ca
 www.socp.ca

Box 419, 11802 - 115 st Osoyoos, BC V0H 1V0

FAX: 250-495-3556

1.8m (6')
 Concrete Base

Product #
 0936