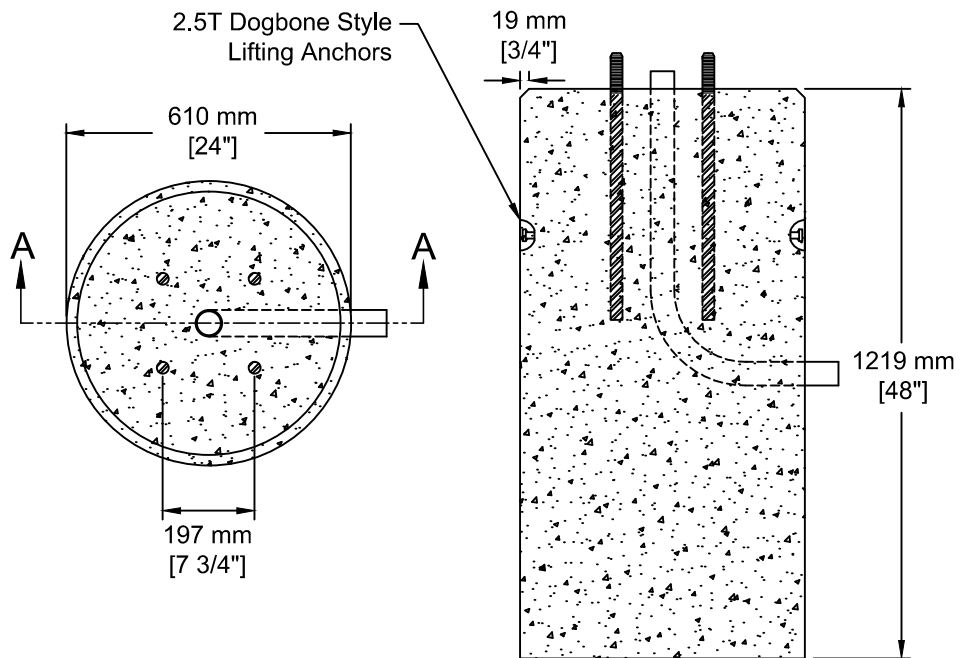


INSTALLATION INFORMATION
 2 - 2.5T DOGBONE STYLE LIFTING ANCHORS
 CONDUIT - AS REQUIRED
 BOLT PATTERN - AS REQUIRED
 WEIGHT: LBS / KG



TEL: 250-495-7556
 socp@socp.ca
 www.socp.ca

1.2m (4') Round
 Concrete Base

Product #
0934-24