

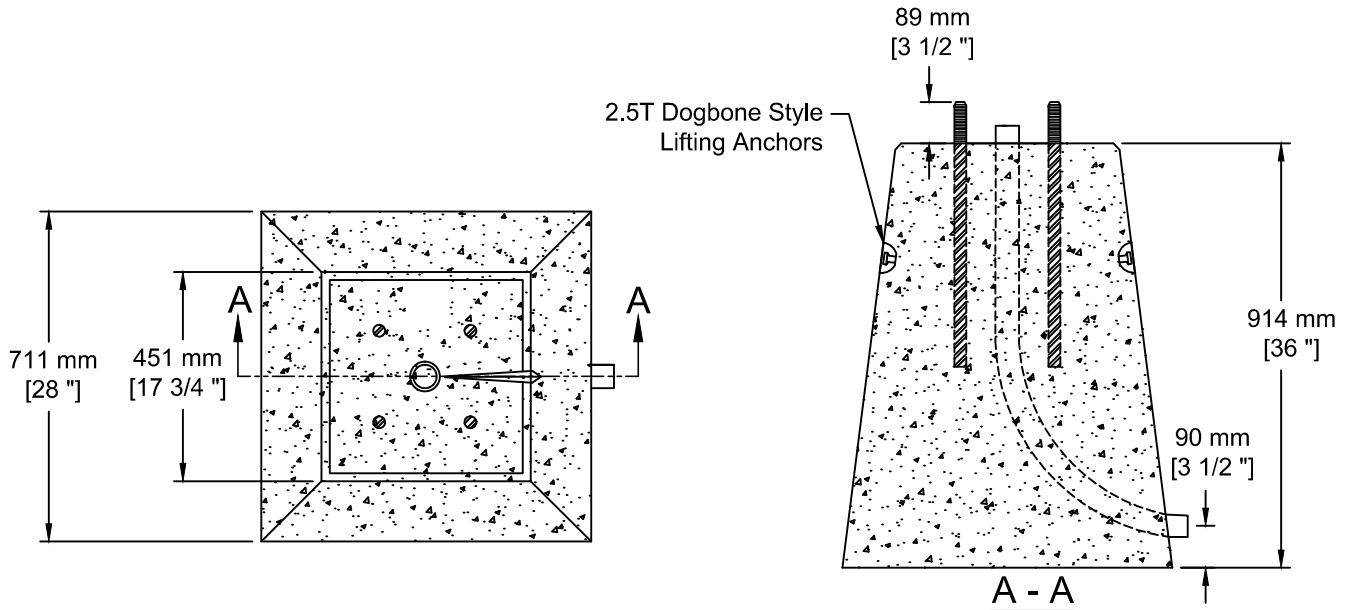
INSTALLATION INFORMATION

2 - 2.5T DOGBONE STYLE LIFTING ANCHORS

CONDUIT - AS REQUIRED

BOLT PATTERN - AS REQUIRED

WEIGHT: 1598 LBS / 725 KG



TEL: 250-495-7556

socp@socp.ca

www.socp.ca

SOUTH OKANAGAN
CONCRETE PRODUCTS LTD

Box 419, 11802 - 115 st Osoyoos, BC V0H 1V0

FAX: 250-495-3556

0.9m (36")
Concrete Base

Product #

0933