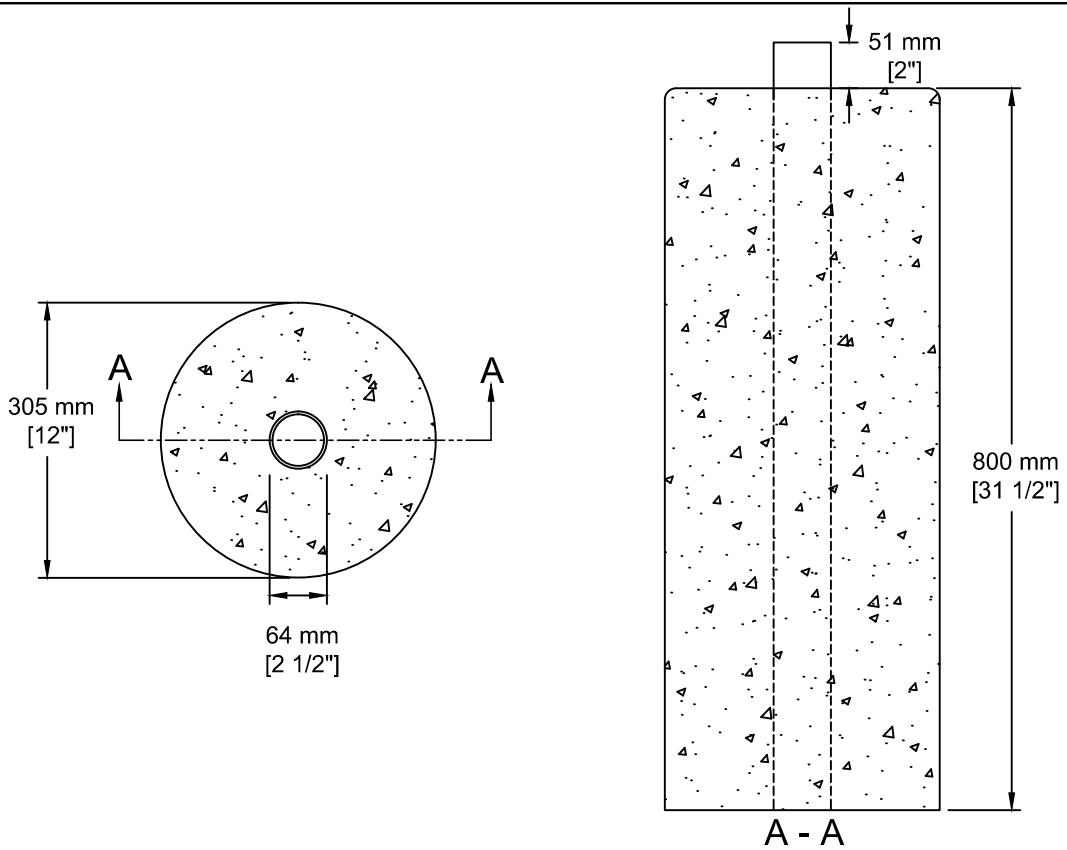


64 mm [2 1/2"] O/D  
Steel Pipe



INSTALLATION INFORMATION  
WEIGHT: 314 LBS / 142 KG



TEL: 250-495-7556  
socp@socp.ca  
www.socp.ca

Type III Concrete Sign Base

Product #

0913