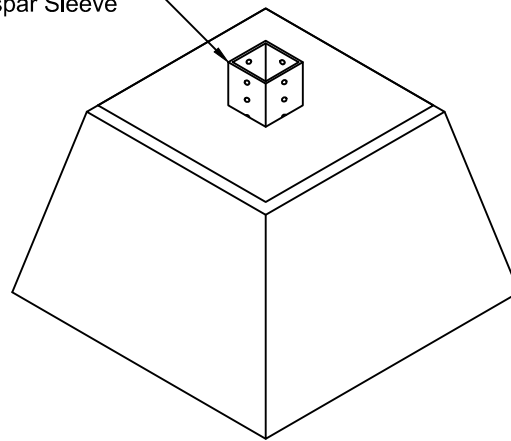
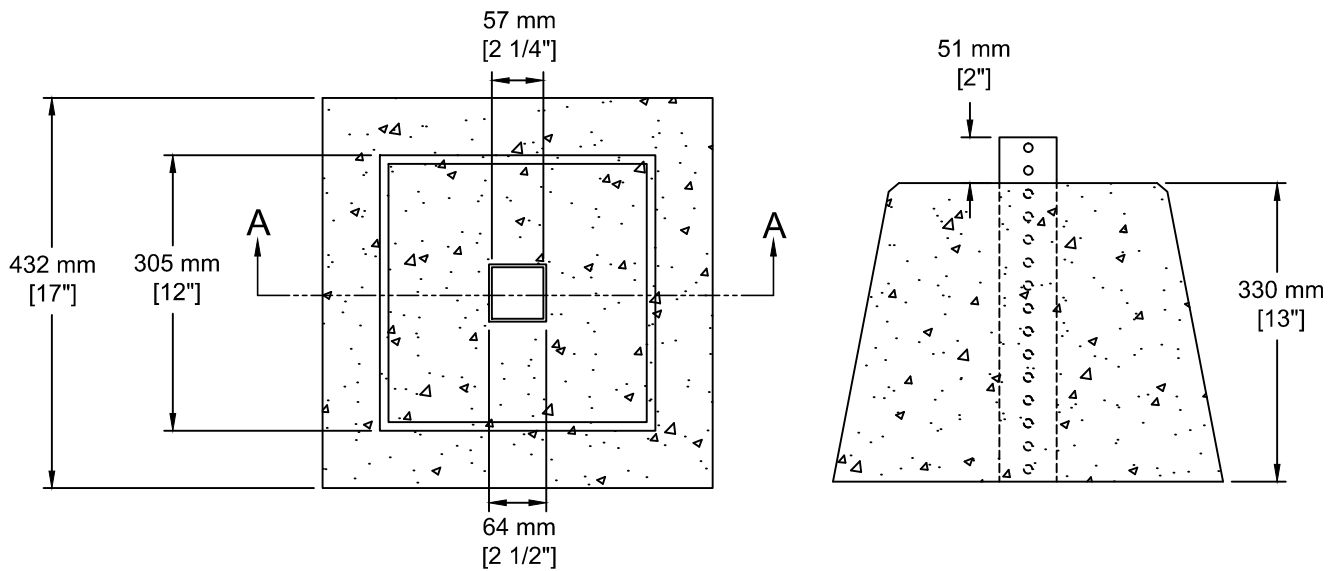


64 mm [2 1/2"] O/D
Telespar Sleeve



INSTALLATION INFORMATION
WEIGHT: 223 LBS / 100 KG



TEL: 250-495-7556
socp@socp.ca
www.socp.ca

Concrete Sign Base
/c Telespar - 100 kg

Product #

0902